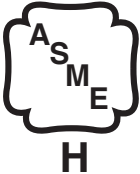


# INSTALLATION, OPERATING AND SERVICE INSTRUCTIONS

## EVO SERIES BOILER

### ON/OFF AND MODULATION, OUTDOOR



File Number MH25585

For Service and repairs to the heating plant, call your heating contractor. When seeking information on the boiler from the manufacturer, provide boiler model and serial number as shown on rating label.

Boiler Model EVO -	Installation Date	Serial Number	Type System
Heating Contractor			
Address		Phone Number	

Your Local Thermal Solutions Representative:



---

## **IMPORTANT INFORMATION - READ CAREFULLY**

---

NOTE: Post these instructions and maintain in legible condition.

NOTE: The equipment shall be installed in accordance with those installation regulations required in the area where the installation is to be made. These regulations shall be carefully followed in all cases. Authorities having jurisdiction shall be consulted before installations are made.

All wiring on boilers installed in the USA shall be in accordance with the National Electrical Code and/or local regulations.

All wiring on boilers installed in Canada shall be in accordance with the Canadian Electrical Code and/or local regulations.

The following terms are used throughout this manual to bring attention to the presence of hazards of various risk levels, or to important information concerning product life.

### **DANGER**

**Indicates an imminently hazardous situation which, if not avoided, will result in death, serious injury or substantial property damage.**

### **CAUTION**

**Indicates a potentially hazardous situation which, if not avoided, may result in moderate or minor injury or property damage.**

### **WARNING**

**Indicates a potentially hazardous situation which, if not avoided, could result in death, serious injury or substantial property damage.**

### **NOTICE**

**Indicates special instructions on installation, operation, or maintenance which are important but not related to personal injury hazards.**

### **DANGER**

**DO NOT store or use gasoline or other flammable vapors or liquids in the vicinity of this or any other appliance.**

**If you smell gas vapors, DO NOT try to operate any appliance - DO NOT touch any electrical switch or use any phone in the building. Immediately, call the gas supplier from a remotely located phone. Follow the gas supplier's instructions or if the supplier is unavailable, contact the fire department.**

## WARNING

This boiler requires regular maintenance and service to operate safely. Follow the instructions contained in this manual.

Improper installation, adjustment, alteration, service or maintenance can cause property damage, personal injury or loss of life. Read and understand the entire manual before attempting installation, start-up operation, or service. Installation and service must be performed only by an experienced, skilled, and knowledgeable installer or service agency

This boiler must be properly vented.

This boiler needs fresh air for safe operation and must be installed so there are provisions for adequate combustion and ventilation air.

The interior of the venting system must be inspected and cleaned before the start of the heating season and should be inspected periodically throughout the heating season for any obstructions. Clean and unobstructed venting and air intake systems are necessary to allow noxious fumes that could cause injury or loss of life to vent safely and will contribute toward maintaining the boiler's efficiency.

This boiler is supplied with safety devices which may cause the boiler to shut down and not re-start without service. If damage due to frozen pipes is a possibility, the heating system should not be left unattended in cold weather; or appropriate safeguards and alarms should be installed on the heating system to prevent damage if the boiler is inoperative.

This boiler contains very hot water under high pressure. Do not unscrew any pipe fittings nor attempt to disconnect any components of this boiler without positively assuring the water is cool and has no pressure. Always wear protective clothing and equipment when installing, starting up or servicing this boiler to prevent scald injuries. Do not rely on the pressure and temperature gauges to determine the temperature and pressure of the boiler. This boiler contains components which become very hot when the boiler is operating. Do not touch any components unless they are cool.

Boiler materials of construction, products of combustion and the fuel contain alumina, silica, heavy metals, carbon monoxide, nitrogen oxides, aldehydes and/or other toxic or harmful substances which can cause death or serious injury and which are known to the state of California to cause cancer, birth defects and other reproductive harm. Always use proper safety clothing, respirators and equipment when servicing or working nearby the appliance.

Failure to follow all instructions in the proper order can cause personal injury or death. Read all instructions, including all those contained in component manufacturers manuals which are provided with the boiler before installing, starting up, operating, maintaining or servicing.

Keep boiler area clear and free from combustible materials, gasoline and other flammable vapors or liquids.

All cover plates, enclosures and guards must be in place at all times.

This product must be installed by a licensed plumber or gas fitter when installed within the Commonwealth of Massachusetts.

## NOTICE

This boiler has a limited warranty, a copy of which is printed on the back of this manual. It is the responsibility of the installing contractor to see that all controls are correctly installed and are operating properly when the installation is complete.

## Table of Contents

I. Pre-Installation .....	8	H. Condensate Drains .....	38
II. Unpacking the Boiler .....	9	IV. System Start-up .....	39
III. Installation .....	10	V. Lighting Instructions .....	42
A. Venting .....	10	VI. Boiler Operational Sequence.....	44
B. Combustion Air.....	16	VII. Service.....	45
C. Water Treatment.....	18	VIII. Repair Parts .....	52
D. Water Piping and Trim.....	19	IX. Temperature Controller Operation for Modulating Boilers .....	70
E. Gas Piping.....	21	Warranty .....	Back Cover
F. Electrical .....	25		
G. Modular Systems .....	28		

### Minimum Clearance to Combustible Materials

<u>Left Side</u>	<u>Right Side</u>	<u>Front</u>	<u>Rear</u>	<u>Top</u>	<u>Flue Connector</u>
6"	6"	24"	6"	6"	18"

### \* Recommended Clearance for Service \*

	<u>Left Side or Right Side</u>	<u>Front</u>	<u>Rear</u>	<u>Top</u>
500	24"	24"	24"	16"
750	24"	24"	24"	16"
1000	24"	24"	24"	16"
1500	24"	24"	24"	19"
2000	24"	24"	24"	31"

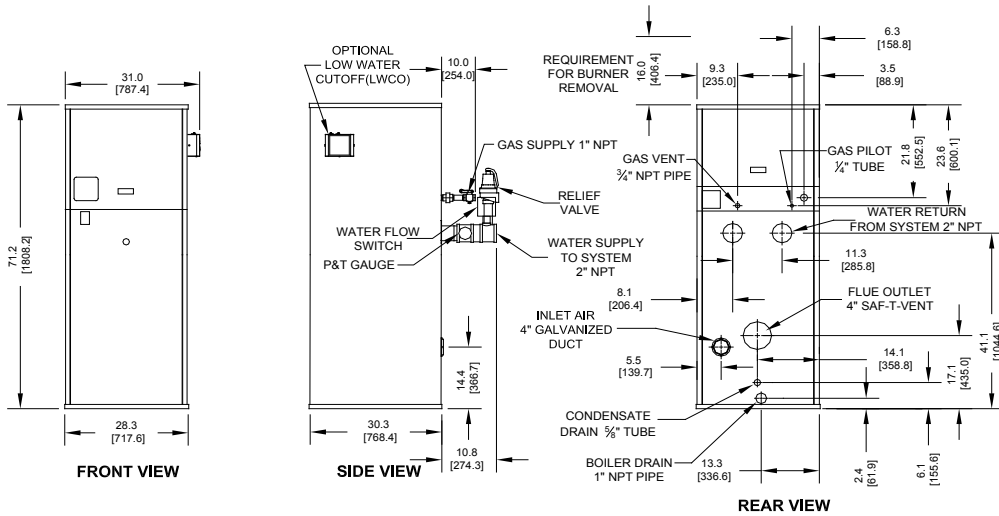
\* When 3 or more units are mounted side-by-side, front service clearance increases by 12" and the rear service clearance increases by 24".

**NOTE: Verify clearance with local codes.**

### Net AHRI Ratings

1. The Net AHRI Water Ratings shown are based on a piping and pickup allowance of 1.15.
2. The manufacturer should be consulted before selecting a boiler for installations having unusual piping and pickup requirements, such as intermittent system operation, extensive piping systems, etc.
3. The ratings have been determined under the provisions governing forced draft boiler-burner units.

EVO-500



- Notes:**
1. Piping removed for visual clarity (rear view).
  2. See notes concerning Net AHRI Ratings on page 4.

BOILER MODEL NUMBER	AHRI CERTIFIED www.ahridirectory.org			CAPACITIES		
	INPUT (MBH)	GROSS OUTPUT (MBH)	NET AHRI RATING (MBH) <sup>2</sup>	WATER VOLUME (gallons)	DRY WEIGHT (lbs.)	WET WEIGHT (lbs.)
EVO-500	500	431	375	6.1	772	823
EVO-750	750	621	540	15.9	1,097	1,230

BOILER MODEL RANGE	ELECTRICAL			
	SUPPLY (volts/Hz/phase)	Blower Motor (hp)	Nominal power draw (amps)	
			On/Off	Mod.
EVO-500	120/60/1	1/2	8.1	4.5
	208/60/1		4.4	3.5
	230/60/1		4.4	3.4
	208/60/3		2.6	3.0
	230/60/3		2.52	2.9
	460/60/3		1.61	1.5
EVO-750	120/60/1	1-1/2	17.7	7.5
	208/60/1		9.2	6.6
	230/60/1		9.2	6.4
	208/60/3		5.2	6.0
	230/60/3		4.96	6.0
	460/60/3		2.83	3.0

EVO-750

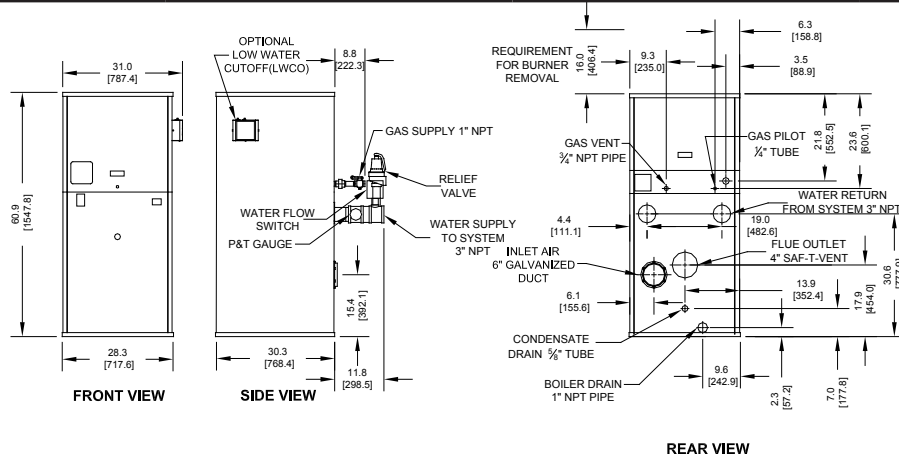
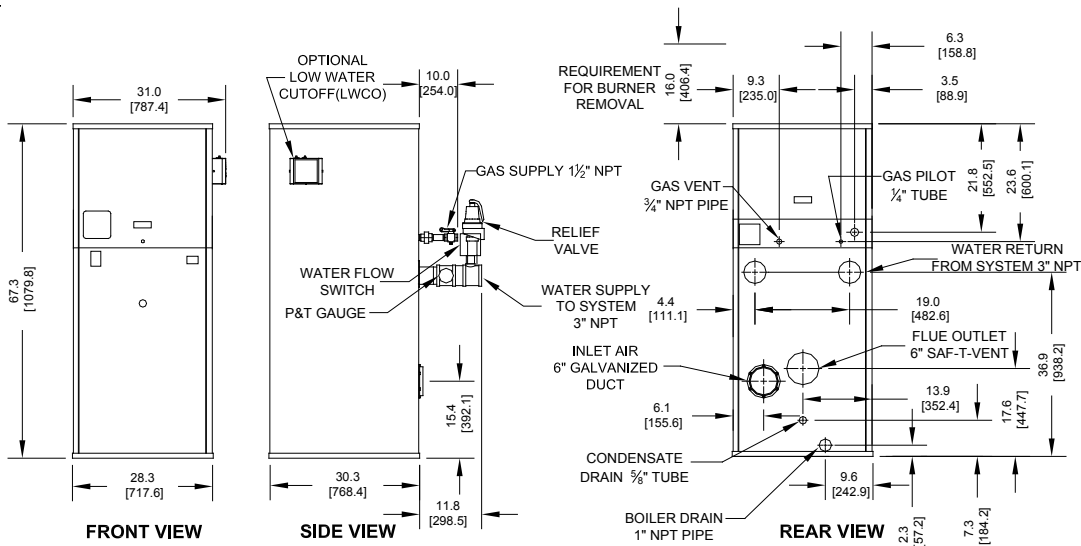



Figure 1a: Dimensions and capacities EVO 500 & 750

EVO-1000



- Notes:**
1. Piping removed for visual clarity (rear view).
  2. See notes concerning Net AHRI Ratings on page 4.

BOILER MODEL NUMBER				CAPACITIES		
	INPUT (MBH)	GROSS OUTPUT (MBH)	NET AHRI RATING (MBH) <sup>2</sup>	WATER VOLUME (gallons)	DRY WEIGHT (lbs.)	WET WEIGHT (lbs.)
EVO-1000	1,000	817	710	16.4	1,185	1,322
EVO-1500	1,500	1,250	1,087	17.4	1,327	1,472

BOILER MODEL RANGE	ELECTRICAL			
	SUPPLY (volts/Hz/phase)	Blower Motor (hp)	Nominal power draw (amps)	
			On-Off	Mod.
EVO-1000/1500	120/60/1	1-1/2	17.7	7.5
	208/60/1		9.2	6.6
	230/60/1		9.2	6.4
	208/60/3		5.2	6.0
	230/60/3		4.96	6.0
	460/60/3		2.83	3.0

EVO-1500

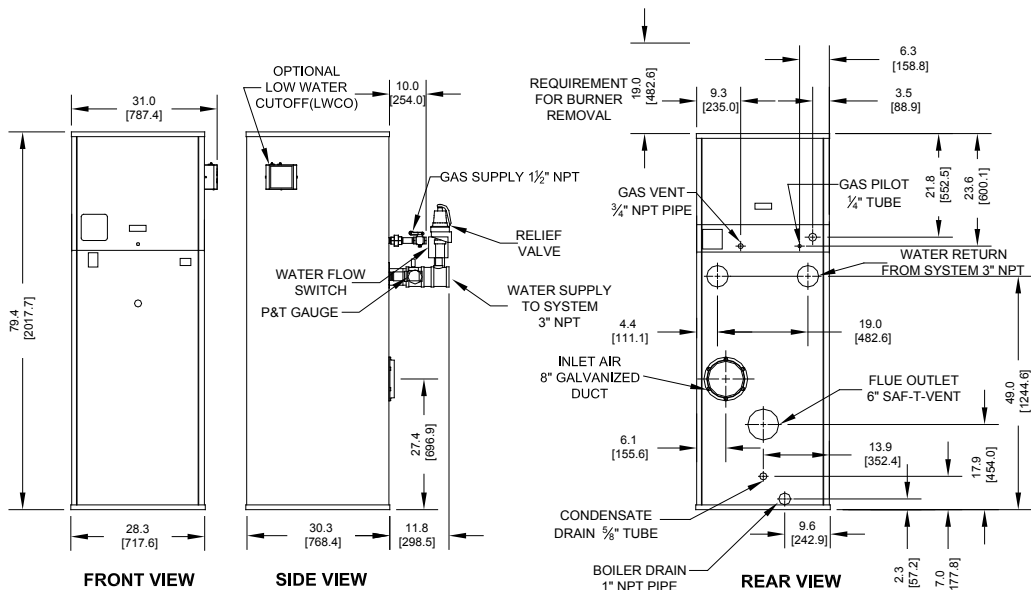
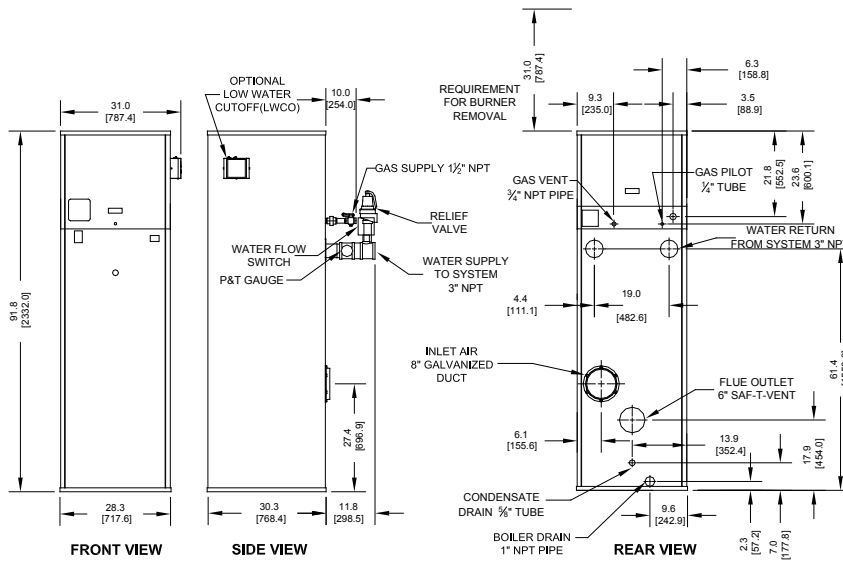



Figure 1b: Dimensions and capacities EVO 1000 & 1500

EVO-2000



- Notes:**
1. Piping removed for visual clarity (rear view).
  2. See notes concerning Net AHRI Ratings on page 4.

BOILER MODEL NUMBER				CAPACITIES		
	INPUT (MBH)	GROSS OUTPUT (MBH)	NET AHRI RATING (MBH) <sup>2</sup>	WATER VOLUME (gallons)	DRY WEIGHT (lbs.)	WET WEIGHT (lbs.)
EVO-2000	2,000	1,696	1,475	18.5	1,461	1,615

BOILER MODEL RANGE	ELECTRICAL			
	SUPPLY (volts/Hz/phase)	Blower Motor (hp)	Nominal power draw (amps)	
			On/Off*	Mod.
EVO-2000	120/60/1	1-1/2	17.5	7.5
	208/60/1		9.2	6.6
	230/60/1		9.2	6.4
	208/60/3		5.2	6.0
	230/60/3		4.96	6.0
	460/60/3		2.83	3.0

Figure 1c: Dimensions and capacities EVO 2000

## I. Pre-Installation

### WARNING

**Carefully read all instructions before installing boiler. Failure to follow all instructions in proper order can cause personal injury or death.**

- A. Installation must conform to the requirements of the authority having jurisdiction. In the absence of such requirements, installation must conform to the *National Fuel Gas Code*, NFPA 54/ANSI Z223.1, and/or CAN/CSA B149 Installation Codes. Where required by the authority having jurisdiction, the installation must conform to the *Standard for Controls and Safety Devices for Automatically Fired Boilers*, ANSI/ASME CSD-1.
- B. The boiler is not design certified for installation on combustible flooring. The boiler must not be installed on carpeting.
- C. Provide clearance between boiler jacket and combustible material in accordance with local fire ordinance. Refer to page 4 of this manual for minimum listed clearance from combustible material.
- D. Install on level floor. For basement installation provide concrete base if floor is not perfectly level or if water may be encountered on floor around boiler. Floor must be able to support weight of boiler, water and all additional system components.
- E. Protect gas ignition system components from water (dripping, spraying, rain, etc.) during boiler operation and service (circulator replacement, condensate trap service, control replacement, etc.).
- F. Provide combustion and ventilation air in accordance with applicable provisions of local building codes or: USA - *National Fuel Gas Code*, NFPA 54/ANSI Z223.1, Section 5.3, Air for Combustion and Ventilation; Canada - *Natural Gas Installation Code*, CAN/CSA - B149.1, or *Propane Installation Code*, CAN/CSA - B.149.2, Part 5, Venting Systems and Air Supply for Appliances.

### WARNING

**Adequate combustion and ventilation air must be provided to assure proper combustion.**

The following guideline is based on the *National Fuel Gas Code*, NFPA 54/ANSI Z223.1.

1. Determine volume of space (boiler room). Rooms communicating directly with space (through openings not furnished with doors) are considered part of space.

$$\text{Volume [ft}^3\text{]} = \text{Length [ft]} \times \text{Width [ft]} \times \text{Height [ft]}$$

2. Determine Total Input of all appliances in space. Round result to nearest 1,000 Btu per hour (Btuh).
3. Determine type of space. Divide Volume by Total Input.
  - a. If result is greater than or equal to 50 ft<sup>3</sup> per 1,000 Btuh, space is considered an *unconfined space*.
  - b. If result is less than 50 ft<sup>3</sup> per 1,000 Btuh, space is considered a *confined space*.
4. Determine building type. A building of *unusually tight construction* has the following characteristics:
  - a. Walls and ceiling exposed to outside atmosphere have a continuous water vapor retarder with a rating of 1 perm or less with openings gasketed and sealed, and;
  - b. Weather-stripping has been added on openable windows and doors, and;
  - c. Caulking or sealants applied in joints around window and door frames, between sole plates and floors, between wall-ceiling joints, between wall panels, at plumbing and electrical penetrations, and at other openings.
5. For boiler located in an *unconfined space in a building of other than unusually tight construction*, adequate combustion and ventilation air is normally provided by fresh air infiltration through cracks around windows and doors.

### NOTICE

**Boilers operated with sealed combustion are exempt from needing provisions for combustion air from the room, provided air intake piping is installed per code and the instructions in this manual.**

6. For boiler located within *unconfined space in building of unusually tight construction* or within *confined space*, provide outdoor air through two permanent openings which communicate directly or by duct with the outdoors or spaces (crawl or attic) freely communicating with the outdoors. Locate one opening within 12 inches of top of space. Locate remaining opening within 12 inches of bottom of space. Minimum dimension of air opening is 3 inches. Size each opening per the following:



- a. Direct communication with outdoors. Minimum free area of 1 square inch per 4,000 Btu per hour input of all equipment in space.
- b. Vertical ducts. Minimum free area of 1 square inch per 4,000 Btu per hour input of all equipment in space. Duct cross-sectional area shall be same as opening free area.
- c. Horizontal ducts. Minimum free area of 1 square inch per 2,000 Btu per hour input of all equipment in space. Duct cross-sectional area shall be same as opening free area.

Alternate method for boiler located within confined space. Use indoor air if two permanent openings communicate directly with additional space(s) of sufficient volume such that combined volume of all spaces meet criteria for unconfined space. Size each opening for minimum free area of 1 square inch per 1,000 Btu per hour input of all equipment in spaces, but not less than 100 square inches.

- 7. Ventilation Duct Louvers and Grilles. Equip outside openings with louvers to prevent entrance of rain and snow, and screens to prevent entrance of insects and rodents. Louvers and grilles must be fixed in open position or interlocked with equipment to open automatically before burner operation. Screens must not be smaller than ¼ inch mesh.

Consider the blocking effect of louvers, grilles and screens when calculating the opening size to provide the required free area. If free area of louver or grille is not known, assume wood louvers have 20-25 percent free area and metal louvers and grilles have 60-75 percent free area.

### DANGER

**Do not install boiler where gasoline or other flammable vapors or liquids, or sources of hydrocarbons (i.e. bleaches, cleaners, chemicals, sprays, paint removers, fabric softeners, etc.) are used or stored.**

### NOTICE

**Due to the low water content of the boiler, incorrect sizing of the boiler with regard to the heating system load will result in excessive boiler cycling and accelerated component failure. Thermal Solutions DOES NOT warrant failures caused by incorrectly sized boiler applications. DO NOT oversize the boiler to the system. Modular boilers greatly reduce the likelihood of boiler oversizing.**

## II. Unpack the Boiler

### NOTICE

**Boiler crate is equipped with a tip and tell label. If label indicates boiler has been tipped over during shipping, remove crate and inspect before trucker leaves.**

### CAUTION

**Do not drop boiler. Do not bump boiler jacket against floor.**

- A. Move boiler to approximate installed position.
- B. Remove all crate fasteners.
- C. Open outside container and remove all inside protective spacers and bracing.
- D. Remove all boiler hold-down fasteners.

### WARNING

**Installation of this boiler should be undertaken only by trained and skilled personnel from a qualified service agency.**

- E. Remove unit from shipping skid (if provided).
  - 1. Tilt the boiler to one side and slide a small roller under the raised base.
  - 2. Tilt the boiler to the other side and slide another roller under the base.
  - 3. Place a larger pipe roller on floor behind the skid.
  - 4. Roll the boiler forward or backward off the skid and onto the pipe roller.
- F. Move boiler to its permanent location.

### III. Installation

#### NOTICE

**Although details for indoor installation may be rarely applicable, Thermal Solutions recognizes that instances may exist where such details are required and have been included within this manual for this purpose.**

#### A. VENTING

#### WARNING

**Improper venting may result in property damage and the release of flue gasses which contain deadly carbon monoxide (CO) into the building, which can cause severe personal injury and/or death.**

#### 1. General Venting Requirements

In order to properly vent this boiler, the installer must select and install a vent system that meets all requirements specified in this section (VENTING) as well as following the instructions provided by the vent system manufacturer.

- a. The vent system shall be designed and constructed in accordance with the National Fuel Gas Code/NFPA 54 ANSI Z223.1 and applicable local building codes to develop a positive flow adequate to convey flue or vent gasses to the outdoors.
- b. If this boiler is being installed in Massachusetts, follow the Massachusetts Code instructions printed later in this section.
- c. Consult the vent pipe manufacturer's instructions for vent system assembly and system specific installation requirements.

#### WARNING

**Vent pipe system must be made of materials approved for use with condensing flue gasses.**

- d. Vent pipe system shall be acceptable for use with boiler fuel type.
- e. Vent pipe system shall be compatible either by directly connecting, or by use of an adapter, to the boiler vent connection.
  - i. This boiler is shipped with an AL 29-4C® Heat-Fab Saf-T-Vent connection and a screened 90° vent termination. These items are not a complete flue ducting system.

- ii. Alteration of the boiler vent connection is prohibited.
- f. Do not reduce the diameter of the vent pipe. The vent pipe must not be smaller than the vent connector on the boiler.
- g. Vent pipe system must be adequately supported at intervals no less than five (5) feet apart. The completed vent system must be rigid and able to withstand impacts without collapse.
- h. If any point of the vent pipe system is higher than the boiler flue collar, the vent system must have adequate condensate drain loop(s) to prevent condensate from running back into the boiler.
- i. It is permissible to run vent pipe through a vertical or horizontal chase provided minimum clearances to combustible materials are maintained.
- j. The minimum clearance to combustible material is six (6) inches, unless otherwise specified by the vent system manufacturer.
- k. Horizontal vent pipe must slope no less than one (1) inch in four (4) feet of run.
- l. The vent termination location is restricted as follows:
  - i. Minimum twelve (12) inches above grade plus normally expected snow accumulation or seven (7) feet above grade if located adjacent to public walkways. DO NOT INSTALL over public walkway where local experience indicates condensation or vapor from the boiler creates a nuisance or hazard.
  - ii. Minimum three (3) feet above any forced air inlet located within ten (10) feet of the vent termination.
  - iii. Minimum four (4) feet below, four (4) feet horizontally or one (1) foot above any door, window or gravity air inlet.
  - iv. Minimum four (4) feet horizontally from electric meters, gas meters, regulators and relief valves. This distance may be reduced if equipment is protected from damage due to condensation or vapor by enclosure, overhangs, etc.
  - v. Minimum twelve (12) inches from corners of building.
- m. Use appropriately designed thimbles when passing through combustible walls or roofs.
- n. Install fire-stops where vent passes through floors, ceilings or framed walls. The fire-stop must close the opening between the vent pipe and the structure.
- o. Enclose vent passing through occupied or unoccupied spaces above the boiler with materials having a fire resistance rating at least equal to the rating of the adjoining floor or ceiling. Maintain minimum clearance to combustible materials.

- p. Locate vent terminal above combustion air intake terminal (if used) and no closer than one (1) foot horizontally.
- q. Vertical venting requires flashing and a storm collar to prevent moisture from entering the structure.
- r. Vertical vent termination must be at least two (2) feet plus the expected snow accumulation above roof penetration height.
- s. This boiler's venting may be Category IV (positive vent pressure, flue condensing) or Category II (non-positive vent pressure, flue condensing), with regards to National Fuel Gas Code/NFPA 54 ANSI Z223.1.

## 2. Positive Pressure Venting Requirements

- a. Vent pipe system must be fully sealed.

### WARNING

**Do not use vent dampers or barometric dampers with positive pressure vent systems.**

- b. **Direct vent applications:** For direct vent (ducted combustion air) installations, the maximum vent length is 50 equivalent feet. The vent length is equal to the total length of straight pipe plus the equivalent length of vent fittings.
- c. **Non-direct vent applications:** For non-direct vent installations (those without ducted combustion air), design the vent system so that the pressure measured at the outlet of the boiler is between 0" w.c. and 0.3" w.c. at high fire.
- d. For sidewall venting, slope pipe toward vent termination, if possible.
- e. See Figures 2, 3 and 4 for examples of positive pressure venting arrangements.

## 3. Negative Pressure (Conventional) Venting Requirements

This section outlines requirements for conventional venting installations, where a negative pressure at the boiler flue outlet is achieved by means of natural convection through a vertical length of vent pipe or lined chimney.

- a. Refer to Figure 5 for an example of a typical conventional venting arrangement.
- b. A lined chimney or vertical length of vent pipe may be used. Chimney lining must be acceptable for use with condensing flue gas.

- c. The minimum chimney/vertical vent height is 15 feet.
- d. Install a condensate drain to collect any condensate that may form in the lined chimney/vertical vent.
- e. Install a double acting barometric damper with integral flue spillage interlock.
- f. The chimney/vertical vent and flue connector must be sized and configured to provide a minimum - 0.04 inch w.c. pressure (draft) at the boiler flue outlet.
- g. The chimney must be protected from down drafts, rain and debris by using a chimney cap or star.

## 4. General Guidelines

- a. This boiler has been certified with AL29-4C® venting. Select a vent material that is approved for use with condensing flue gasses.
- b. Install vent system before installing air intake, water, gas or electrical connections.
- c. For instances where the vent system manufacturer's instructions do not make a specification, refer to the below points.
  - i. Make sure pipe and fittings are clean by swabbing with alcohol. Use Dow Corning 736 or 732 RTV, Polybar #500 RTV or Sil-bond 4500 or 6500 to seal vent pipe.
  - ii. Refer to the appropriate drawings in this section of this manual to determine common acceptable configurations of venting system.

## 5. IMPORTANT

The **Commonwealth of Massachusetts** requires compliance with regulation 248 CMR 4.00 and 5.00 for installation of side-wall vented gas appliances as follows:

- a. For all side wall horizontally vented gas fueled equipment installed in every dwelling, building or structure used in whole or in part for residential purposes, including those owned or operated by the Commonwealth and where the side wall exhaust vent termination is less than seven (7) feet above finished grade in the area of the venting, including but not limited to decks and porches, the following requirements shall be satisfied:
  1. **INSTALLATION OF CARBON MONOXIDE DETECTORS.** At the time of installation of the side wall horizontal vented gas fueled equipment, the installing plumber or gasfitter shall observe that

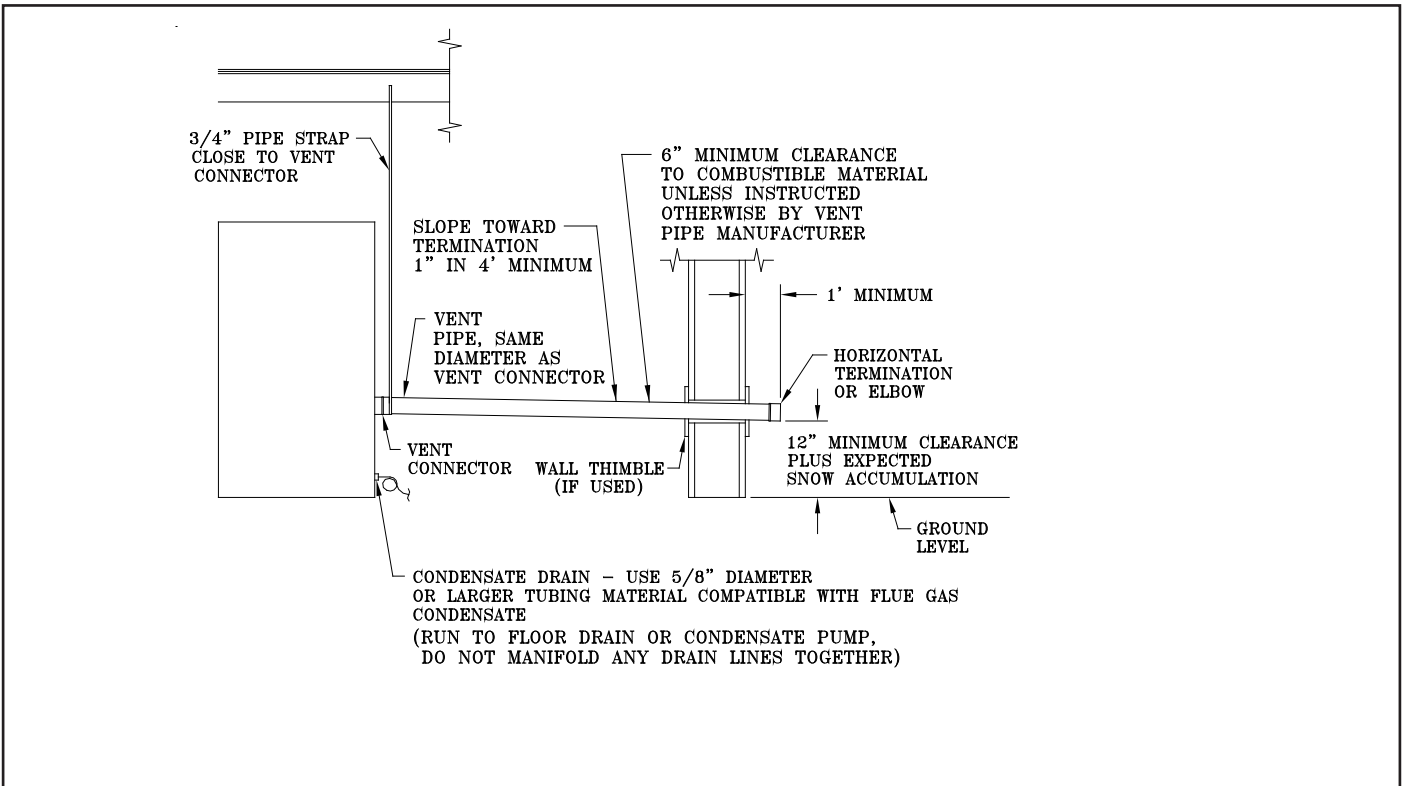


Figure 2: Sidewall Positive Pressure Venting

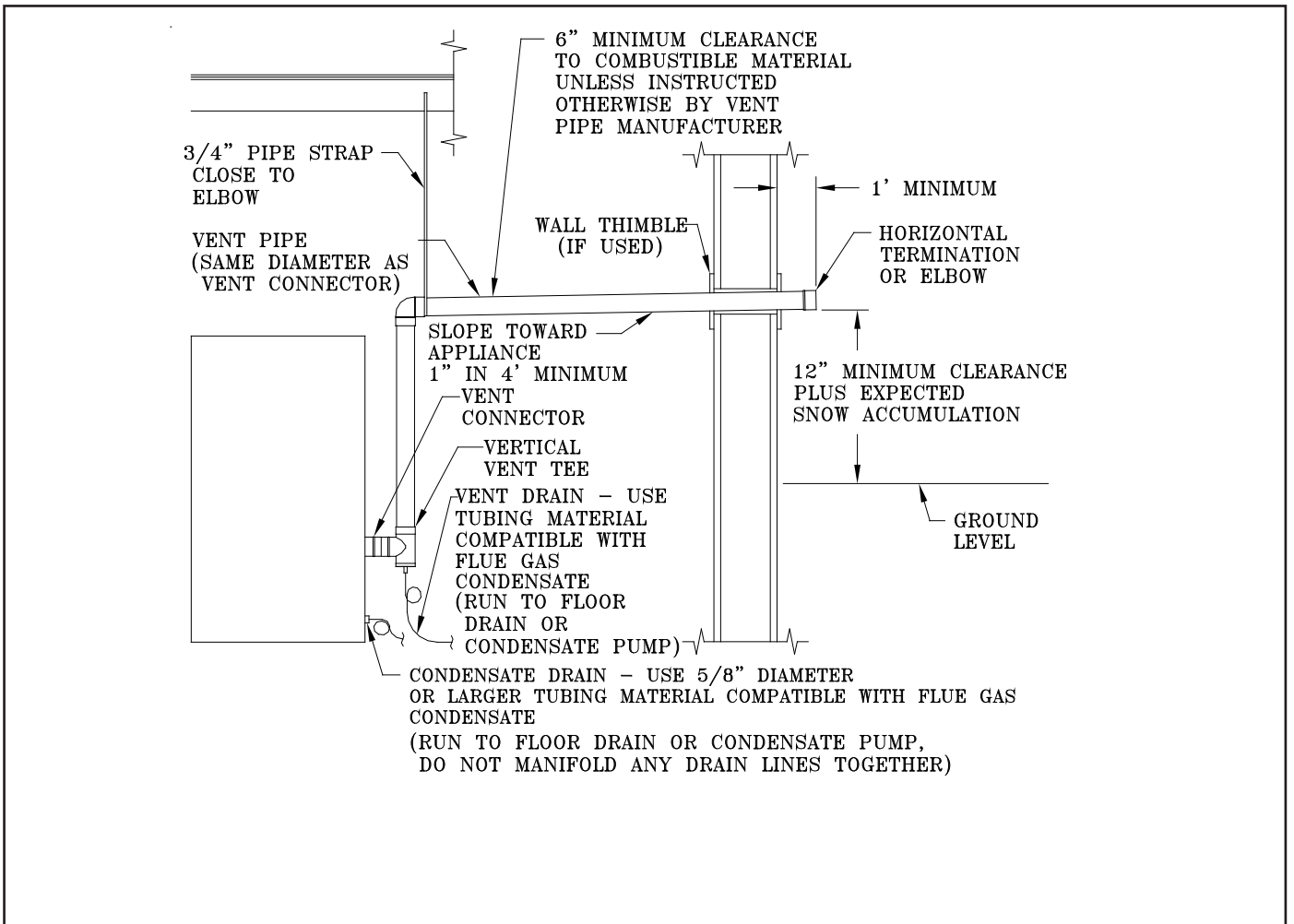


Figure 3: Sidewall Positive Pressure Venting (Optional)

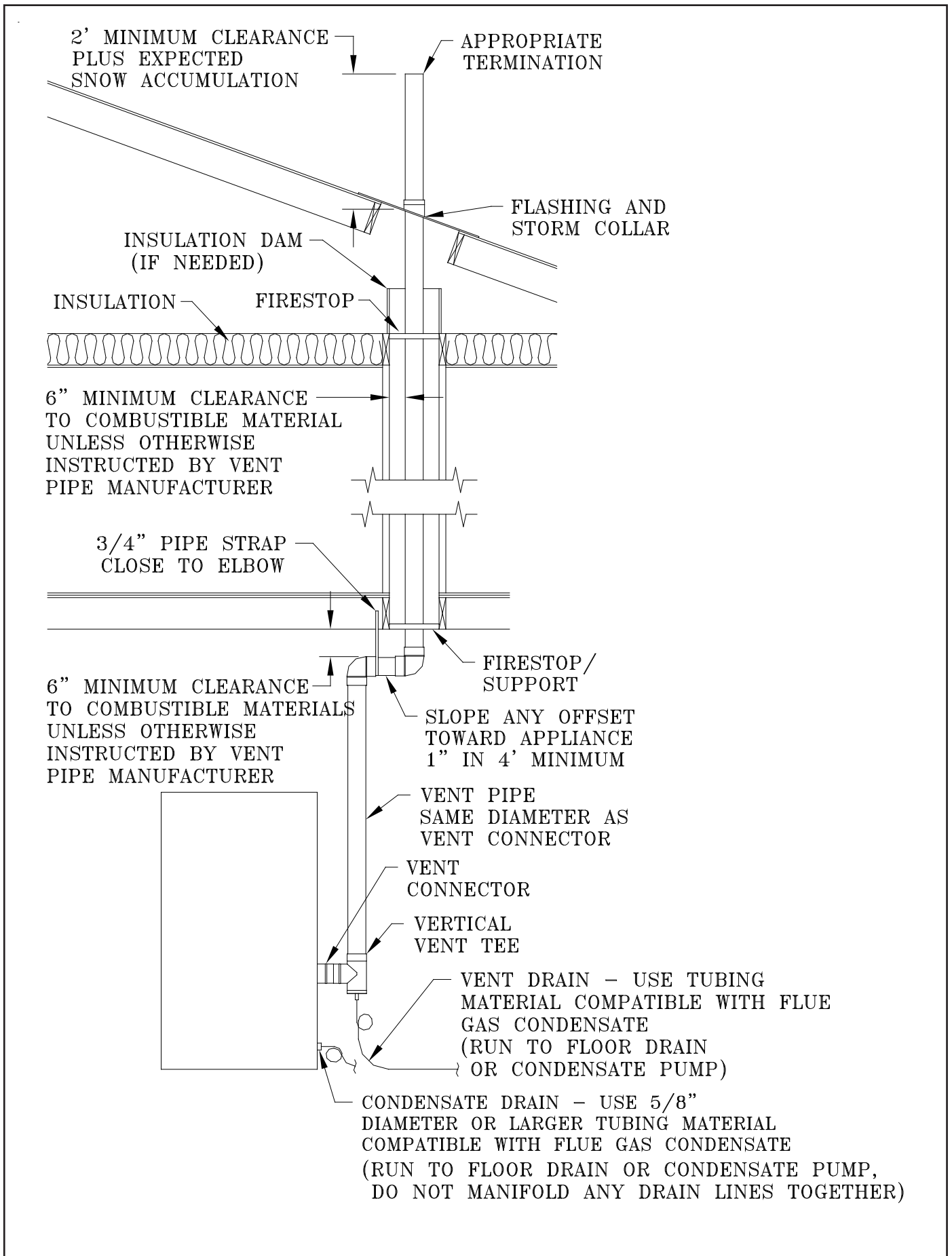


Figure 4: Vertical Pressurized Venting

a hard wired carbon monoxide detector with an alarm and battery back-up is installed on the floor level where the gas equipment is to be installed. In addition, the installing plumber or gasfitter shall observe that a battery operated or hard wired carbon monoxide detector with an alarm is installed on each additional level of the dwelling, building or structure served by the side wall horizontal vented gas fueled equipment. It shall be the responsibility of the property owner to secure the services of qualified licensed professionals for the installation of hard wired carbon monoxide detectors.

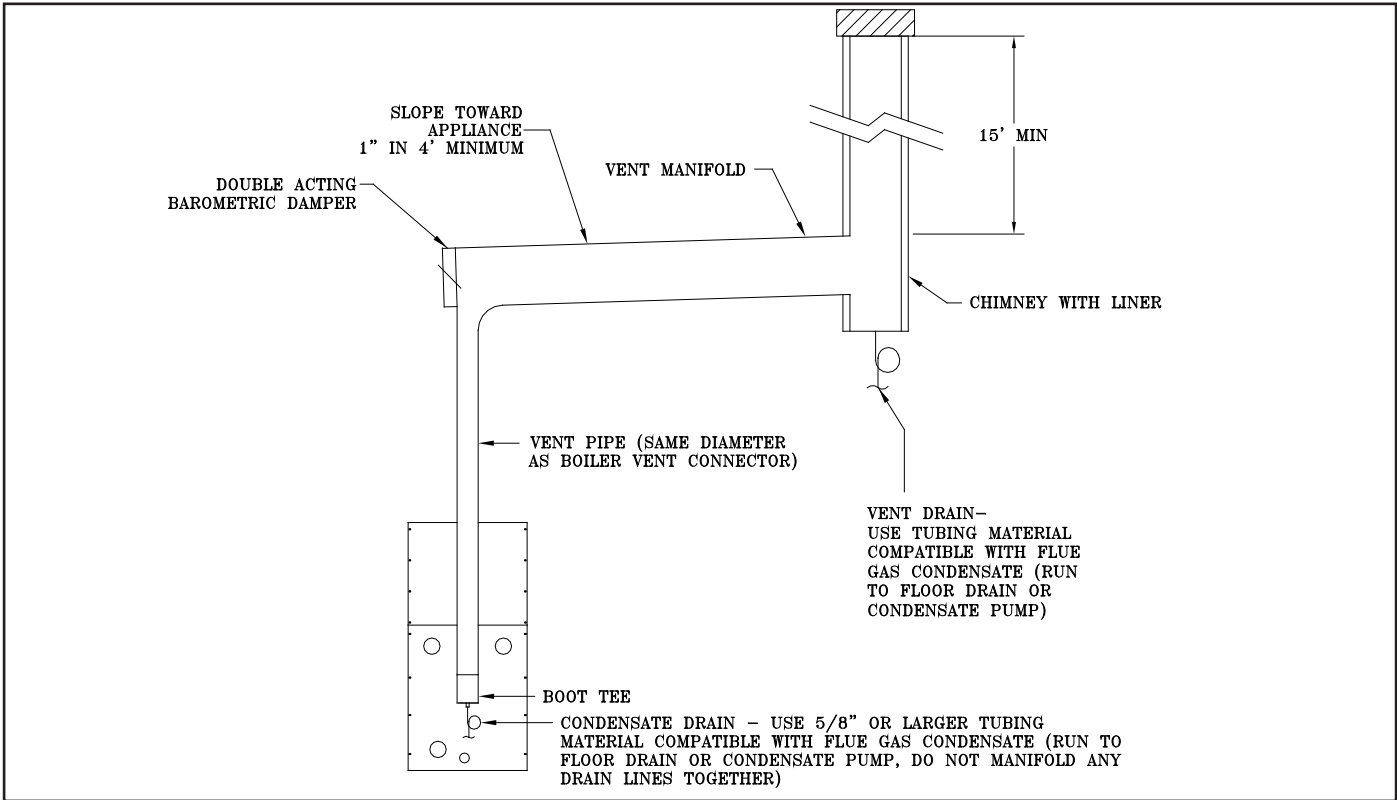
a. In the event that the side wall horizontally vented gas fueled equipment is installed in a crawl space or an attic, the hard wired carbon monoxide detector with alarm and battery back-up may be installed on the next adjacent floor level.

b. In the event that the requirements of this subdivision can not be met at the time of completion of installation, the owner shall have a period of thirty (30) days to comply with the above requirements; provided, however, that during said thirty (30) day period, a battery operated carbon monoxide detector with an alarm shall be installed.

2. APPROVED CARBON MONOXIDE DETECTORS. Each carbon monoxide detector as required in accordance with the above provisions shall comply with NFPA 720 and be ANSI/UL 2034 listed and IAS certified.
3. SIGNAGE. A metal or plastic identification plate shall be permanently mounted to the exterior of the building at a minimum height of eight (8) feet above grade directly in line with the exhaust vent terminal for the horizontally vented gas fueled heating appliance or equipment. The sign shall read, in print size no less than one-half (1/2) inch in size, "GAS VENT DIRECTLY BELOW. KEEP CLEAR OF ALL OBSTRUCTIONS".
4. INSPECTION. The state or local gas inspector of the side wall horizontally vented gas fueled equipment shall not approve the installation unless, upon inspection, the inspector observes carbon monoxide detectors and signage installed in accordance with the provisions of 248 CMR 5.08(2)(a)1 through 4.
- b. EXEMPTIONS: The following equipment is exempt from 248 CMR 5.08(2)(a)1 through 4:
  1. The equipment listed in Chapter 10 entitled "Equipment Not Required To Be Vented" in the most current edition of NFPA 54 as adopted by the Board; and
  2. Product Approved side wall horizontally vented gas fueled equipment installed in a room or structure

separate from the dwelling, building or structure used in whole or in part for residential purposes.

- c. MANUFACTURER REQUIREMENTS - GAS EQUIPMENT VENTING SYSTEM PROVIDED. When the manufacturer of Product Approved side wall horizontally vented gas equipment provides a venting system design or venting system components with the equipment, the instructions provided by the manufacturer for installation of the equipment and the venting system shall include:
  1. Detailed instructions for the installation of the venting system design or the venting system components; and
  2. A complete parts list for the venting system design or venting system.
- d. MANUFACTURER REQUIREMENTS - GAS EQUIPMENT VENTING SYSTEM NOT PROVIDED. When the manufacturer of a Product Approved side wall horizontally vented gas fueled equipment does not provide the parts for venting the flue gases, but identifies "special venting systems", the following requirements shall be satisfied by the manufacturer:
  1. The referenced "special venting system" instructions shall be included with the appliance or equipment installation instructions; and
  2. The "special venting systems" shall be Product Approved by the Board, and the instructions for that system shall include a parts list and detailed installation instructions.
- e. A copy of all installation instructions for all Product Approved side wall horizontally vented gas fueled equipment, all venting instructions, all parts lists for venting instructions, and/or all venting design instructions shall remain with the appliance or equipment at the completion of the installation.



**Figure 5: Typical Negative Pressure (Conventional) Venting**

**B. COMBUSTION AIR** - See Figures 6 and 7.

1. The boiler may be operated with inside or outside air.
2. Refer to air intake piping drawings in this section for proper outside air installation details.
3. Combustion air conduit can be galvanized smoke pipe, PVC, CPVC, or flexible aluminum conduit.
4. The maximum air intake pipe length is fifty (50) equivalent feet. Air intake pipe length is equal to the total length of straight pipe plus the equivalent length of fittings. Consult intake pipe manufacturer for equivalent length of fittings and pipe.
5. Consult air intake pipe manufacturer's instructions for proper method of sealing vent pipe sections and fittings. Do not use other adhesives or sealants except as expressly permitted by the vent pipe manufacturer's instructions.

7. Boiler may be installed with vertical venting and sidewall intake air or visa versa.
8. The horizontal air intake pipe must be adequately supported with straps or supports no less than five (5) feet apart. The completed air intake pipe system must be rigid and able to withstand impacts without collapse.

**CAUTION**

**Dirty, contaminated or dusty air used for combustion will decrease the useful life of the boiler air filter. Use outside air if inside air quality is questionable. Use outside air if the boiler is installed in manufacturing plants, laundries, dry cleaners or other locations with heavy particulates in the air.**

**WARNING**

**Do not locate air intake where petroleum distillates, CFCs, detergents, volatile vapors or any other chemicals are present. Severe boiler corrosion and failure will result. Thermal Solutions does not warrant failures caused by contaminated air.**

---

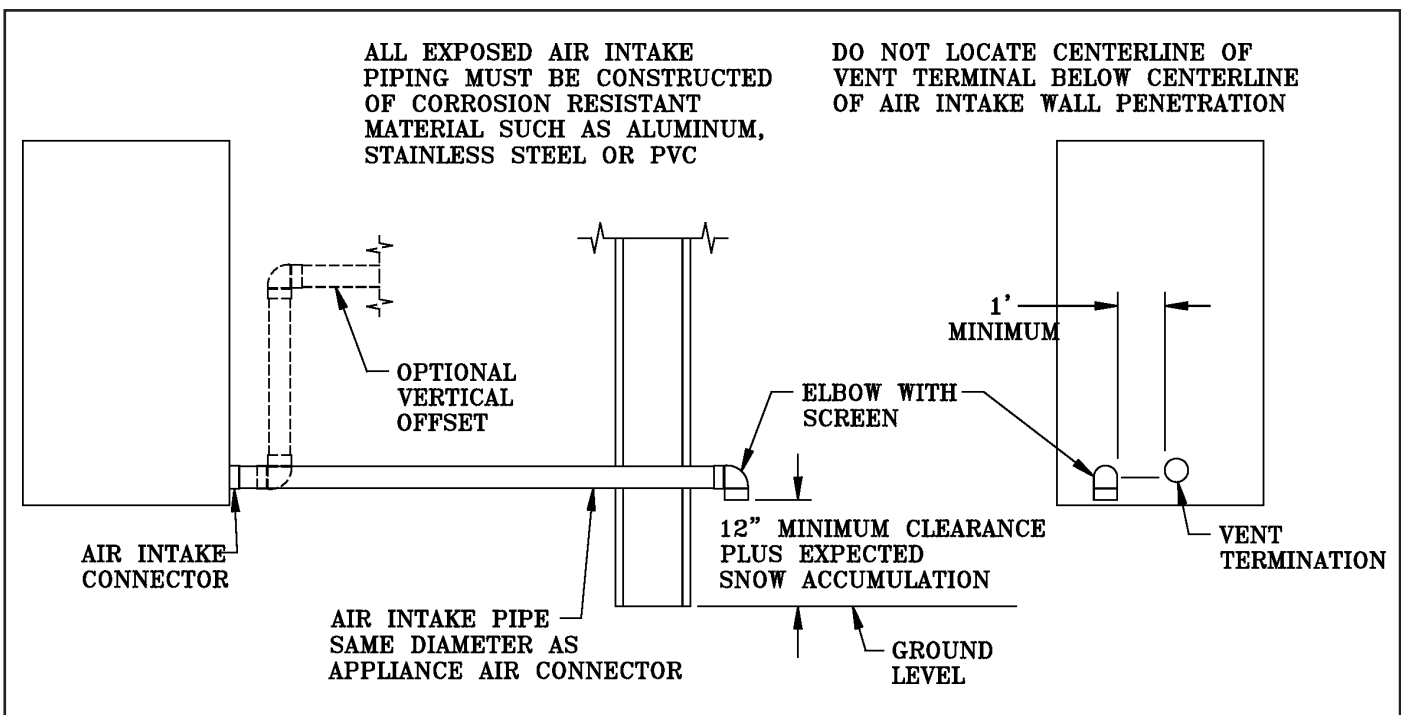
**Do not locate air intake termination where natural convection or wind conditions may cause the boiler exhaust gases to be drawn into the air intake.**

**WARNING**

**Do not reduce size of air intake pipe.**

**Read, understand and follow combustion air instruction restrictions contained in the Pre-Installation instructions of this manual.**

6. Air intake termination must be located at least twelve (12) inches above grade plus the expected snow accumulation.



**Figure 6: Horizontal Air Intake Piping**



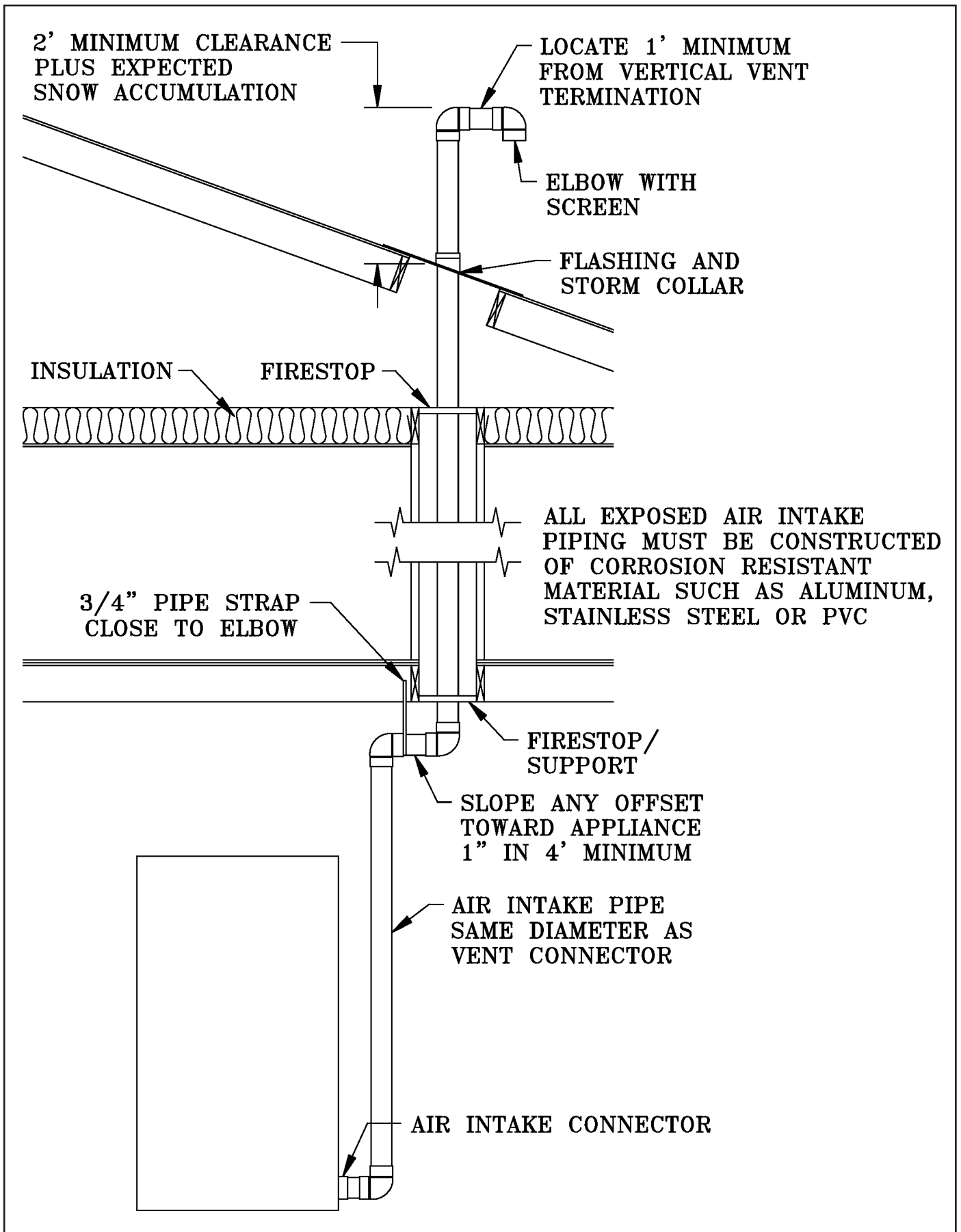


Figure 7: Vertical Air Intake Piping

### C. WATER TREATMENT

The quality of water used in the heating system is essential for the successful operation and longevity of the system components. A successful water treatment plan will help to maintain efficiency, reduce the regularity of repair and/or replacement, and extend the working life of the boiler and other system equipment. If left untreated, poor water quality could cause a number of problems including, but not limited to, oxidation, scaling, corrosion, and fouling. See Table 1 for examples of typical chemical agents found in untreated water along with their potential effects.

Table 1: Chemical Agents and Effects	
Compound	Effect
Calcium Carbonate (CaCO <sub>3</sub> )	Soft Scale
Calcium Bicarbonate (CaHCO <sub>3</sub> )	Soft Scale, CO <sub>2</sub>
Calcium Sulphate (CaSO <sub>4</sub> )	Hard Scale
Calcium Chloride (CaCl <sub>2</sub> )	Corrosion
Magnesium Carbonate (MgCO <sub>3</sub> )	Soft Scale
Magnesium Bicarbonate (MgHCO <sub>3</sub> )	Corrosion, Scale
Magnesium Sulphate (MgSO <sub>4</sub> )	Corrosion
Silicon Dioxide (SiO <sub>2</sub> )	Hard Scale

Since the condition of water varies from location to location, it is impossible to prescribe a one-size-fits-all treatment plan for the system water. In order to develop an effective water treatment plan, it will be necessary to gain knowledge of the impurities dissolved in the water. Once all the impurities are identified, the proper treatment plan can be established. Therefore, it will be essential to obtain the expertise of a qualified industrial water treatment professional for establishing a treatment plan.

In addition, a periodic testing/sampling plan should be developed. The intent of the plan should be to: (1) ensure the protection of the boiler and system equipment, (2) prevent an unforeseen system failure, (3) provide information for use in addressing the water quality, and (4) to confirm the proper concentration of chemicals in use.

<b>CAUTION</b>
<b>The water shall have a maximum water hardness of 8.5 grains or 150 ppm. The recommended pH range is 8.8 to 9.2. However, other aspects of water quality can affect boiler operation and longevity. A qualified water treatment expert should be consulted to develop a complete water treatment plan.</b>
<b>Oxygen contamination of boiler water will cause corrosion of iron and steel boiler components, and can lead to boiler failure. Thermal Solutions Standard Warranty does not cover problems caused by oxygen contamination of boiler water.</b>
<b>Proper water treatment and boiler maintenance is required to avoid scale build-up on the inside of the boiler. Thermal Solutions Standard Warranty does not cover problems caused by scale build-up.</b>
<b>When using Glycol products, all Glycol manufacturers' requirements, including rust inhibitors, must be adhered. Max 50% Glycol.</b>

#### D. WATER PIPING AND TRIM

### CAUTION

**Failure to properly pipe boiler may result in improper operation and damage to boiler or structure.**

**All piping either new or existing must be cleaned with a tri sodium phosphate (TSP) solution to remove mill scale and oils from the system. Failure to do so could result in premature failure of the heat exchanger (not covered by Thermal Solutions Standard Warranty).**

**On an existing or retrofit system, a filter or strainer must be installed on the system return prior to the boilers.**

**Return water temperature below 120°F will cause flue gas condensation inside the boiler. Flue gas condensate can lead to boiler failure. Thermal Solutions Standard Warranty does not cover problems caused by flue gas condensation.**

**Supply and return water temperature differences greater than 40°F at high fire can lead to boiler failure. Thermal Solutions Standard Warranty does not cover problems caused by temperature differences greater than 40°F at high fire.**

1. Design and install boiler and system piping to prevent oxygen contamination of boiler water and frequent water additions.
  - a. There are many possible causes of oxygen contamination such as:
    - i. Addition of excessive make-up water as a result of system leaks.
    - ii. Absorption through open tanks and fittings.
    - iii. Oxygen permeable materials in the distribution system.
  - b. In order to insure long product life, oxygen sources must be eliminated. This can be accomplished by taking the following measures:
    - i. Repairing system leaks to eliminate the need for addition of make-up water.
    - ii. Eliminating and/or repairing fittings which allow oxygen absorption.
    - iii. Using of non-permeable materials in the distribution system.
    - iv. Isolating the boiler from the system water by installing a heat exchanger.
    - v. Using properly designed and operating air elimination devices in water piping.
2. Connect system supply and return piping to boiler.
  - a. Refer to Figure 8.
  - b. Consult I=B=R Installation and Piping Guides.

- c. Maintain 1/2" minimum distance between water piping and combustible material.
- d. Consult Thermal Solutions for unusual system requirements.

### CAUTION

**Support weight of system piping adequately.**

- e. Design and install system piping to prevent return water temperatures below 120°F. Refer to Table 2 for boiler flow and pressure drop requirements.
3. Remove protective cap from boiler drain line located in the rear of the boiler .
4. Install drain valve in the boiler drain line at bottom rear of the boiler.
5. If this boiler is used in connection with refrigeration systems, the boiler must be installed so that the chilled medium is piped in parallel with the boiler using appropriate valves to prevent the chilled medium from entering the boiler. Also consult I=B=R Installation and Piping Guides. If this boiler is connected to heating coils located in air handling units where they may be exposed to refrigerated air, the boiler piping must be equipped with flow control valves to prevent gravity circulation of boiler water during operation of the cooling system.
6. Install optional low water cut-off in system piping above the boiler, if not shipped with boiler.
7. Install an air eliminating device to remove air from the system.

TABLE 2 - EVO BOILER FLOW AND PRESSURE DROP

BOILER MODEL	20°ΔT (at high fire)		40°ΔT (at high fire)		Minimum Flow Rate (gpm)	Maximum Flow Rate (gpm)	Supply/Return Pipe (inch dia.)
	ΔP (Ft.)	Flow (GPM)	ΔP (Ft.)	Flow (GPM)			
EVO-500	2.93	43	0.74	22	22	43	2
EVO-750	1.81	62	0.46	31	31	62	3
EVO-1000	3.24	82	0.81	41	41	82	3
EVO-1500	7.37	125	1.85	63	63	125	3
EVO-2000	13.27	170	3.32	85	85	170	3

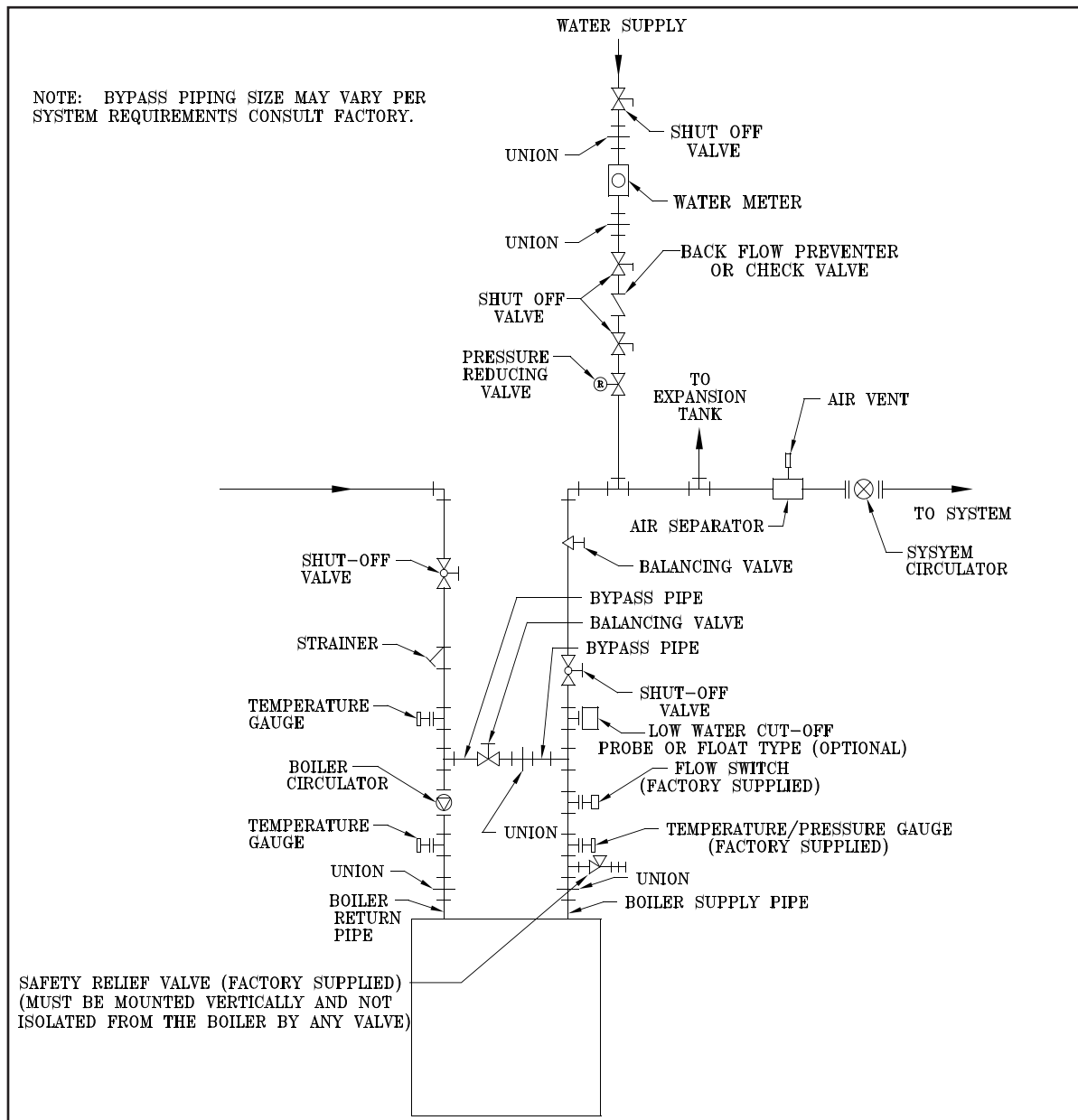


Figure 8: Water Piping (Single Boiler)

## WARNING

Failure to operate the unit with the proper water flow rate can lead to appliance failure. Always verify proper water flow switch operation so that the unit stops operating if improper water flow is present.

Safety relief valve discharge piping must be piped such that the potential of severe burns is eliminated. DO NOT pipe in any area where freezing could occur. DO NOT install any shut-off valves, plugs or caps. Consult Local Codes for proper discharge piping arrangement.

If a high head system pump is installed, ensure that the boiler relief valve and system piping are capable of operating properly at the combined pressure of the system fill pressure plus the pump static head pressure.

Do not install valves, plugs or caps in safety relief valve piping.

Safety relief valve piping must be terminated such that in the event the safety relief valve opens, the discharge will not cause personal injury or damage.

Do not operate the boiler with flow rates in excess of the maximum flow rates listed in Table 2. Tube erosion and pitting will occur. Thermal Solutions Standard Warranty does not cover problems caused by excessive water flow rates.

8. There must be a minimum of five pipe diameters of straight horizontal run downstream of the flow switch. Otherwise, premature failure of flow switch paddle may occur. See flow switch instruction manual included with boiler.
9. If the boiler is installed in a closed water supply system, such as one having a back flow preventer in the cold water supply line, means shall be provided to control thermal expansion. Contact the water supplier or local plumbing inspector on how best to control this situation.
10. A pressure relief valve is supplied with each boiler. No valve is to be placed between the relief valve and appliance.
  - a. Pipe the safety relief discharge to a suitable place for disposal when relief occurs.
  - b. Do not install reducing couplings or other restrictive devices in the safety relief discharge line.
  - c. The safety relief discharge line must allow for complete drainage of both the valve and line.
11. If the relief valve discharges periodically, this may be due to thermal expansion in a closed water supply system. Contact the water supplier or local plumbing inspector on how to correct this situation. DO NOT PLUG THE RELIEF VALVE.

## E. GAS PIPING

### WARNING

Failure to properly pipe gas supply to boiler may result in improper operation and damage to the boiler or structure. Always assure gas piping is absolutely leak free and of the proper size and type for the connected load.

An Additional gas pressure regulator may be needed. Consult gas supplier.

1. Size gas piping. Design system to provide adequate gas supply to boiler. Consider these factors.
  - a. Allowable pressure drop from point of delivery to boiler. Refer to Table 3 for minimum and maximum boiler gas train inlet pressure at steady state. If gas supply pressure is higher than maximum as listed in Table 3, an additional field supplied pressure regulator will be required.
  - b. If a lower minimum gas pressure is needed, the low gas pressure build can be used. The minimum gas pressure on all the low gas pressure builds is 4.0 in. w.c. Consult factory if this option is desired. This option is not available on the EVO-500.
  - c. Maximum gas demand. Table 7 lists boiler input rate. Also consider existing and expected future gas utilization equipment (i.e., water heater, cooking equipment).
  - d. Length of piping and number of fittings. Refer to Table 4 for maximum capacity of schedule 40 pipe. Table 6 lists equivalent pipe length for standard fittings.
    - i. Specific gravity of gas correction factor, to be applied to the value found in Table 4, can be found in Table 5.
    - ii. For gas piping material other than schedule 40 pipe, refer to the National fuel gas code, NFPA 54/ANSI Z223.1 and/or CAN/GCA B149 Installation codes.
2. If step down regulator is required, it must be used in conjunction with the factory supplied regulator and be located as far away from the boiler as possible to prevent nuisance shutdowns. The minimum and maximum inlet gas pressure must not exceed the value specified in Table 3.
3. Install field supplied sediment trap, ground-joint union and manual non-displacable shut-off valve upstream of factory supplied shut-off valve outside the boiler jacket. Use methods and materials in accordance with Local Codes and requirements of gas supplier. In absence of such requirements, follow National Fuel Gas Code, NFPA 54/ANSI Z223.1 and/or CAN/CSA B149 Installation Codes.

4. Use thread joint compound resistant to the action of liquefied petroleum gas.

**WARNING**

**Failure to use proper thread compounds on all gas connectors may result in leaks of flammable gas.**

5. All above ground gas piping upstream from field supplied manual gas valve must be electrically continuous and bonded to a grounding electrode. Do not use gas piping as grounding electrode. Refer to National Electrical Code, ANSI/NFPA 70 and /or CSA C22.1 Electrical Codes.

**WARNING**

**Gas supply to boiler and system must be absolutely shut off prior to installing or servicing boiler gas piping.**

**WARNING**

**Use an additional gas pressure regulator where the gas pressure is greater than 5 psig. Using one additional regulator for multiple boilers may result in unsafe boiler operation. The additional regulator must be able to properly regulate gas pressure flow at the lowest input of a single boiler. If the regulator cannot do this, two or more additional regulators are required. Consult regulator manufacturer's instructions for minimum gas flow rate.**

6. Pressure test. The boiler and its gas connection must be leak tested before placing boiler in operation.
  - a. Protect boiler gas control valve. For all testing over ½ psig, boiler and its individual shutoff valve must be disconnected from gas supply piping. For testing at ½ psig or less, isolate

boiler from gas supply piping by closing the boiler's individual manual shutoff valve.

- b. Locate leaks using approved combustible gas detector, soap and water, or similar nonflammable solution.

**DANGER**

**Do not use matches, candles, open flames or other ignition source to check for leaks.**

**TABLE 3 - BOILER GAS TRAIN INLET PRESSURE**

Boiler Model	MIN. ("w.c.)	MAX.
EVO-500	5.0	5 psi-NG 2 psi-LP
EVO-750*	7.0	
EVO-1000*	7.0	
EVO-1500*	7.0	
EVO-2000*	9.0	
* Available with optional gas train with min 4" w.c. inlet gas pressure.		

**TABLE 4: MAXIMUM GAS CAPACITY OF SCHEDULE 40 PIPE.**  
**(Based on Gas Pressure less than 2 psi, pressure drop of 0.3 in w.c. and 0.6 specific gravity.)**

Pipe Length in Equivalent Feet	Pipe Size (in.)							
	3/4	1	1-1/4	1-1/2	2	2-1/2	3	4
	Capacity in Cubic Feet of Gas Per Hour							
10	273	514	1060	1580	3050	4860	8580	17500
20	188	353	726	1090	2090	3340	5900	12000
30	151	284	583	873	1680	2680	4740	9660
40	129	243	499	747	1440	2290	4050	8270
50	114	215	442	662	1280	2030	3590	7330
60	104	195	400	600	1160	1840	3260	6640
70	95	179	368	552	1060	1690	3000	6110
80	89	167	343	514	989	1580	2790	5680
90	83	157	322	482	928	1480	2610	5330
100	79	148	304	455	877	1400	2470	5040
125	70	131	269	403	777	1240	2190	4460
150	63	119	244	366	704	1120	1980	4050
175	58	109	224	336	648	1030	1820	3720
200	54	102	209	313	602	960	1700	3460

**TABLE 5 – SPECIFIC GRAVITY  
CORRECTION FACTORS**

Specific Gravity	Correction Factor	Specific Gravity	Correction Factor
0.50	1.10	1.10	0.74
0.55	1.04	1.20	0.71
0.60	1.00	1.30	0.68
0.65	0.96	1.40	0.66
0.70	0.93	1.50	0.63
0.75	0.90	1.60	0.61
0.80	0.87	1.70	0.59
0.85	0.84	1.80	0.58
0.90	0.82	1.90	0.56
1.00	0.78	2.00	0.55

**TABLE 6 - EQUIVALENT OF STANDARD PIPE FITTING & VALVES**

Pipe Size	I.D. Inches	Valves Fully Open (Screwed, Flanged, Welded)			Schedule 40, Screwed Fittings			
		Gate	Globe	Angle	Swing Check	90° Elbow (threaded)	45° Elbow (threaded)	90° Tee, Flow through Branch (threaded)
1/2"	0.622	0.36	17.3	8.65	4.32	1.55	0.73	3.10
3/4"	0.824	0.48	22.9	11.4	5.72	2.06	0.96	4.12
1"	1.049	0.61	29.1	14.6	7.27	2.62	1.22	5.24
1-1/4"	1.380	0.81	38.3	19.1	9.58	3.45	1.61	6.90
1-1/2"	1.610	0.94	44.7	22.4	11.2	4.02	1.88	8.04
2"	2.067	1.21	57.4	28.7	14.4	5.17	2.41	10.3
2-1/2"	2.469	1.44	68.5	34.3	17.1	6.16	2.88	12.3
3"	3.068	1.79	85.2	42.6	21.3	7.67	3.58	15.3
4"	4.026	2.35	112	56	28.0	10.1	4.70	20.2
6"	6.065	3.54	168	84.1	42.1	15.2	7.07	30.4

Equivalent lengths are for standard screwed fittings and for screwed, flanged, or welded valves relative to schedule 40 steel pipe.

## WARNING

Table 7 lists gas inputs at sea level to 2000 feet altitude. Reduce gas input four percent (4%) for each additional 1000 feet above sea level.

**TABLE 7 - RATED INPUT**

Boiler Model	Rated Capacity (CFH)		Gas Connection Size (inch dia.)
	Natural	LP/Propane	
EVO-500	500	200	1-1/4
EVO-750	750	300	1-1/2
EVO-1000	1000	400	1-1/2
EVO-1500	1500	600	1-1/2
EVO-2000	2000	800	1-1/2



## F. ELECTRICAL

1. General. Install wiring and ground boiler in accordance with authority having jurisdiction or in absence of such requirements National Electrical Code, ANSI/NFPA 70 and/or CSA C22.1 Electrical Code.

### WARNING

**Failure to properly wire electrical connections to the boiler may result in serious physical harm. DO NOT ATTACH ADDITIONAL J-Box to back or top of boiler jacket.**

### DANGER

**Positively assure all electrical connections are unpowered before attempting installation or service of electrical components or connections of the boiler or building. Lock out all electrical boxes with padlock once power is turned off.**

2. A separate electrical circuit must be run from the main electrical service with an over-current device/disconnect in the circuit. A service switch is recommended and may be required by some local jurisdictions. Locate the service switch such that the appliance can be shut off without exposing personnel to danger in the event of an emergency.
3. Connect the main power supply and ground from fused disconnect to proper boiler electrical leads located in the junction box at the rear of the boiler. Refer to electrical consumption plate on boiler jacket.
4. Remove factory supplied jumper wire from terminals 4 and 5. Connect field supplied safety limits or devices using proper terminals provided in boiler electrical cabinet. Refer to wiring diagram supplied with boiler for wiring information. Refer to Figures 9a-9c for typical wiring diagrams. Refer to Figure 1 for electrical requirements for boiler.

### CAUTION

**Each boiler must be protected with a dedicated properly sized fused disconnect.**

### WARNING

**Electrical power may be supplied from more than one service. Make sure all power is off before attempting any electrical work.**

**The wiring diagrams contained in this manual are for reference purposes only. Each boiler may be wired differently according to the specifications given to Thermal Solutions at the time the boiler was purchased. Always use the wiring diagram provided with the boiler. If the wiring diagram provided with the boiler is unavailable, STOP all wiring work and contact Thermal Solutions for a replacement diagram.**

**Do not directly connect low voltage (24 volt, milliamp, etc.) controls to this boiler. If low voltage controls are desired, isolating relays must be used.**

**Never jump out or bypass any safety controls.**

**Never jump out or make inoperative any safety or operating controls. Each boiler must be protected with a properly sized over-circuit device.**

5. The following pages have sample wiring diagrams. Contact Thermal Solutions Representative or visit website ([www.thermalsolutions.com](http://www.thermalsolutions.com)) for current wiring options.
6. An as-built wiring diagram is included with every boiler when it is shipped from the factory.

1  
2  
3  
4  
5  
6  
7  
8  
9  
10  
11  
12  
13  
14  
15  
16  
17  
18  
19  
20  
21  
22  
23  
24  
25  
26  
27  
28  
29  
30  
31  
32  
33  
34  
35  
36  
37  
38  
39  
40  
41  
42  
43  
44  
45  
46  
47  
48  
49  
50  
51  
52  
53  
54  
55  
56  
57  
58  
59  
60  
61  
62  
63  
64  
65  
66  
67  
68  
69  
70  
71  
72  
73  
74  
75  
76  
77  
78  
79  
80  
81  
82  
83

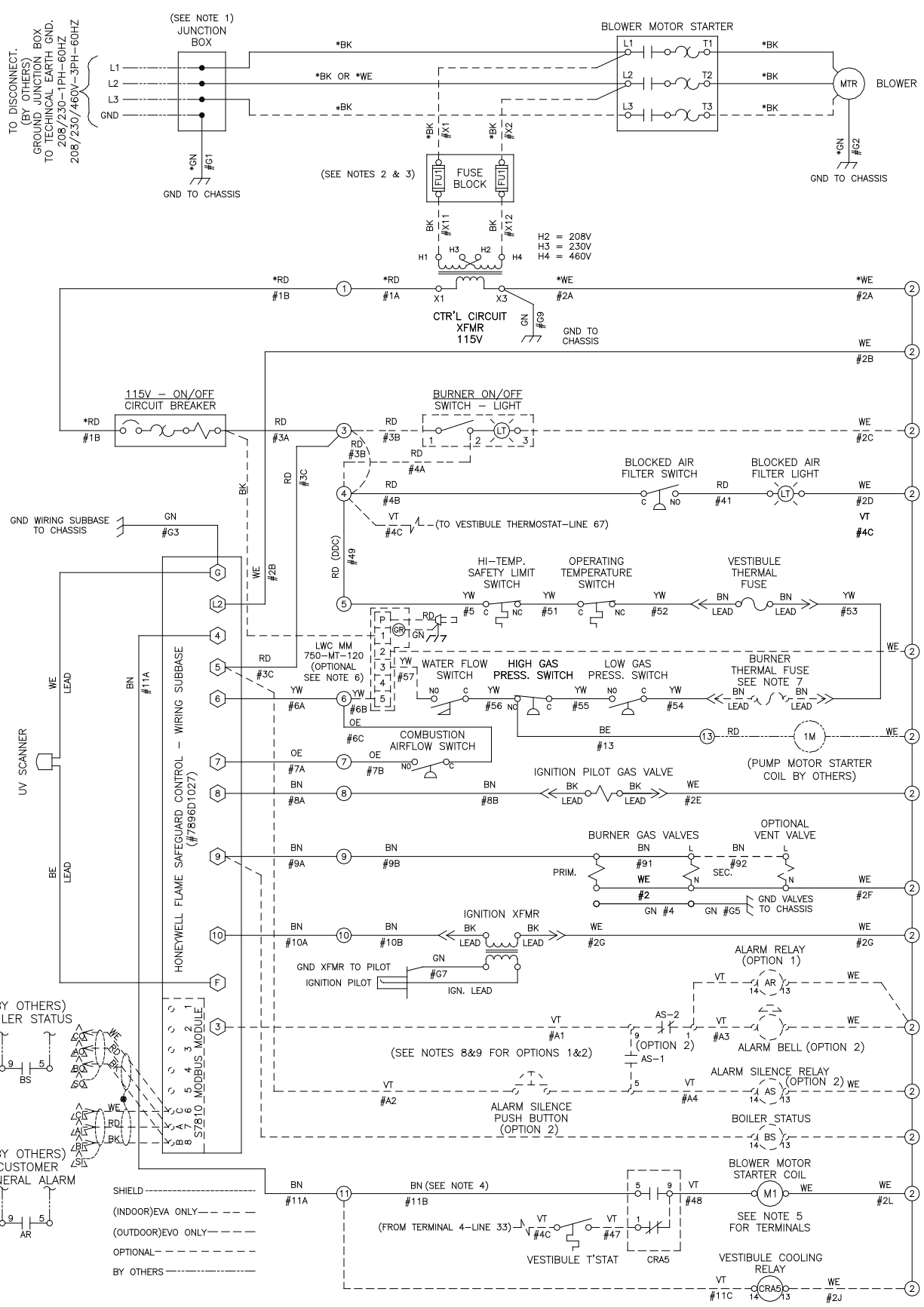


Figure 9a: Standard UL/FM/CSD-1 Wiring Diagram(on/off) EVO 500-2000

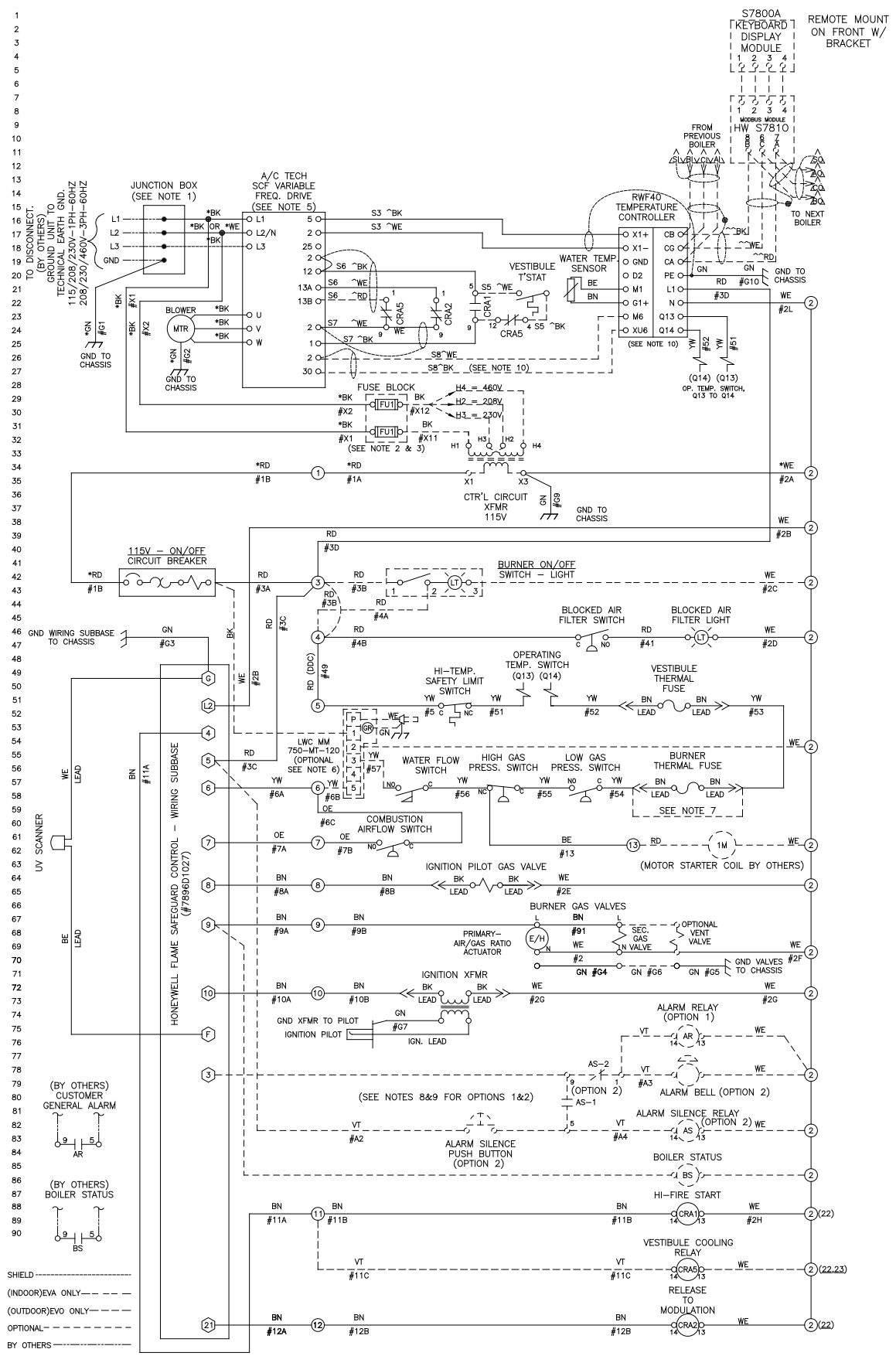
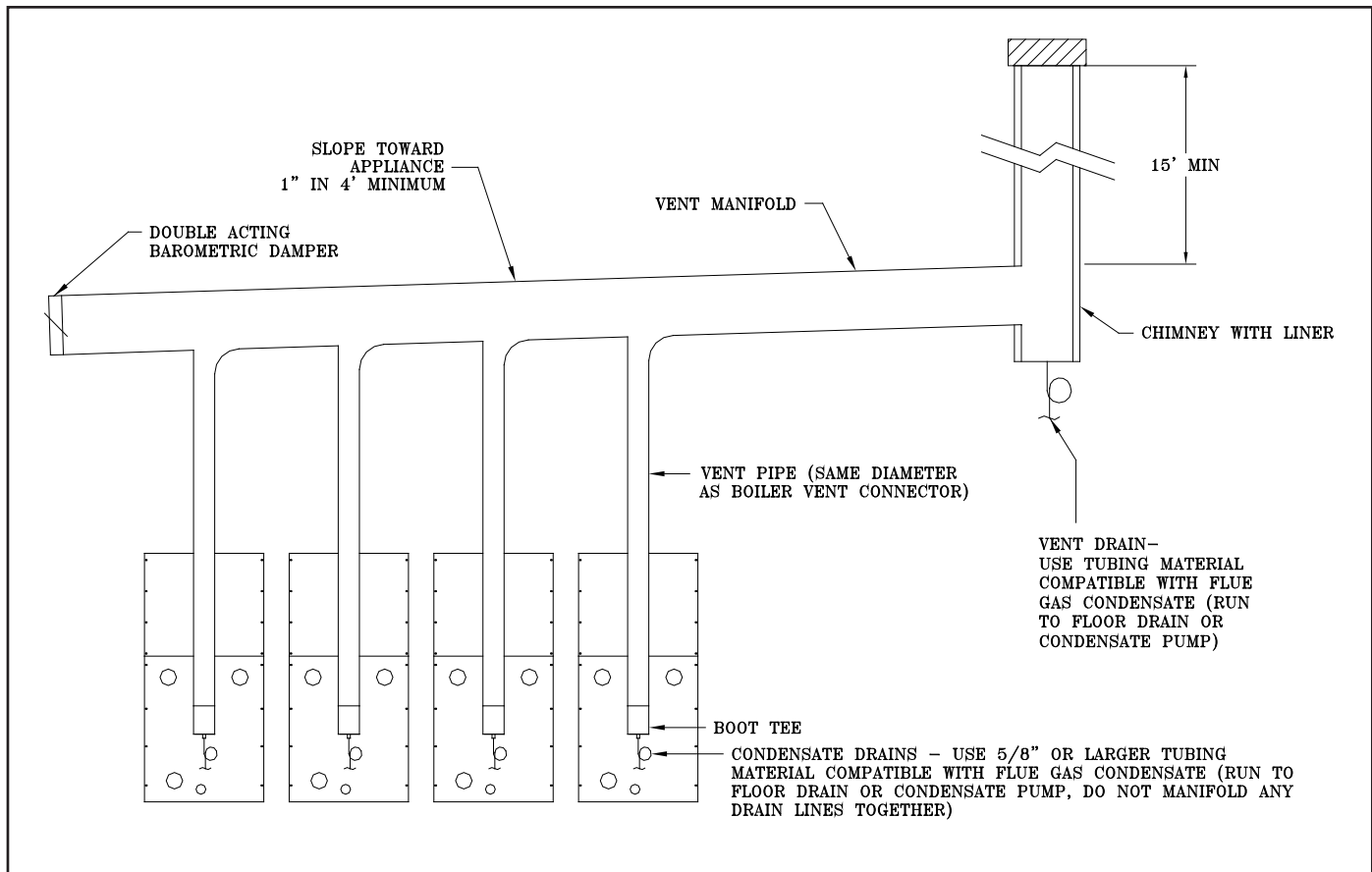


Figure 9b: Standard UL/FM/CSD-1 Wiring Diagram (Modulation) EVO 500-2000



**Figure 10: Modular System: Conventional Venting (Negative Pressure)**

## G. MODULAR SYSTEMS

### 1. General Guidelines

- a. Read and follow all venting, combustion air, water piping, gas piping and electrical instructions contained in this manual unless otherwise instructed in this section.
- b. Design and installation of modular systems should only be undertaken by skilled and knowledgeable engineers and contractors.
- c. Consult Local Building Codes, National Fuel Gas Code, or NFPA 54/ANSI Z223.1 for restrictions and instructions for modular boilers.
- d. Refer to the Pre-Installation section for further warnings, cautions, notices and instructions.

### 2. Module Sizing

Consult factory for recommended number and size of boilers for a given input.

### 3. Venting

This section outlines venting requirements for multiple boiler installations and should be used in addition to the “VENTING” section earlier in this manual.

- a. Positive Pressure (Sidewall and Vertical) Venting
  - i. Positive pressure vent systems cannot be manifolded together.

- ii. Positive pressure systems can be piped individually through a common vertical or horizontal chase provided minimum clearances to combustible materials are maintained.
- iii. Positive pressure systems can be piped individually through a common vertical chase so that a single roof penetration can be made. Each vent termination must be one (1) foot from all other terminations.

## WARNING

**DO NOT manifold vent components of multiple boilers without converting to a negative pressure venting arrangement.**

### b. Negative Pressure (Conventional) Venting

- i. Refer to Figure 10 for an example of a typical conventional venting arrangement for modular boilers.
- ii. Refer to National Fuel Gas Code to determine required chimney diameter and common venting diameter. Note that combined input, lateral length and chimney height affect vent diameter.
- iii. Install a double acting barometric damper with integral flue spillage interlock (as

shown in Figure 10).

- iv. Locate boiler(s) with lowest input closest to chimney/vertical common vent.
- v. Chimney lining must be acceptable for use with condensing flue gases.
- vi. Install a condensate drain to collect any condensate that may form in the lined chimney or vertical common vent (refer to figure 10).

### CAUTION

**Installing multiple vent terminations close together promotes frost build up on buildings. To minimize this possibility, extend the distance from the building to the end of the vent termination and increase the horizontal distance between vent terminations.**

#### 4. Air Intake Piping

- a. Consult intake pipe manufacturer for common air intake pipe sizing.
- b. Refer to Figures 11 and 12 for common air intake guidelines for modular boilers.
- c. Individual air intake pipes may be used in lieu of common air intake piping.
- d. Common air intake straight lengths and fittings should be assumed to have the equivalent length the same as an individual air intake pipe, used for a given boiler intake pipe diameter.
- e. Position horizontal air intake termination center line below horizontal vent termination's center line.
- f. Vertical air intake pipe must terminate at least two (2) feet above the closest portion of the roof.
- g. Refer to the Combustion Air section for further warnings, cautions, notices and instructions.

#### 5. Water Piping

- a. Refer to Figures 13 thru 18 for typical water piping for modular boilers.
- b. Installing a low water cut-off in the system piping is highly recommended and may be required by Code, if not factory mounted on boiler.
- c. Refer to Table 1 for pressure drop and flow requirements for each boiler.
- d. Consult I=B=R Installation and Piping Guide.
- e. Maintain ½" minimum distance between water piping and combustible material.
- f. Refer to Water Piping and Trim section for further warnings, cautions, notices and instructions.

#### 6. Gas Piping

- a. Refer to National Fuel Gas Code, Local Codes and Tables 2 through 7 for gas pipe sizing.
- b. Refer to Gas Piping section for further warnings, cautions, notices and instructions.

### NOTICE

**The pressure drop given in Table 1 is for the boiler only. The pressure drop of each system fitting and component must be added to the boiler pressure drop to determine the system pressure head requirement. See Table 6 for fitting and component equivalent lengths.**

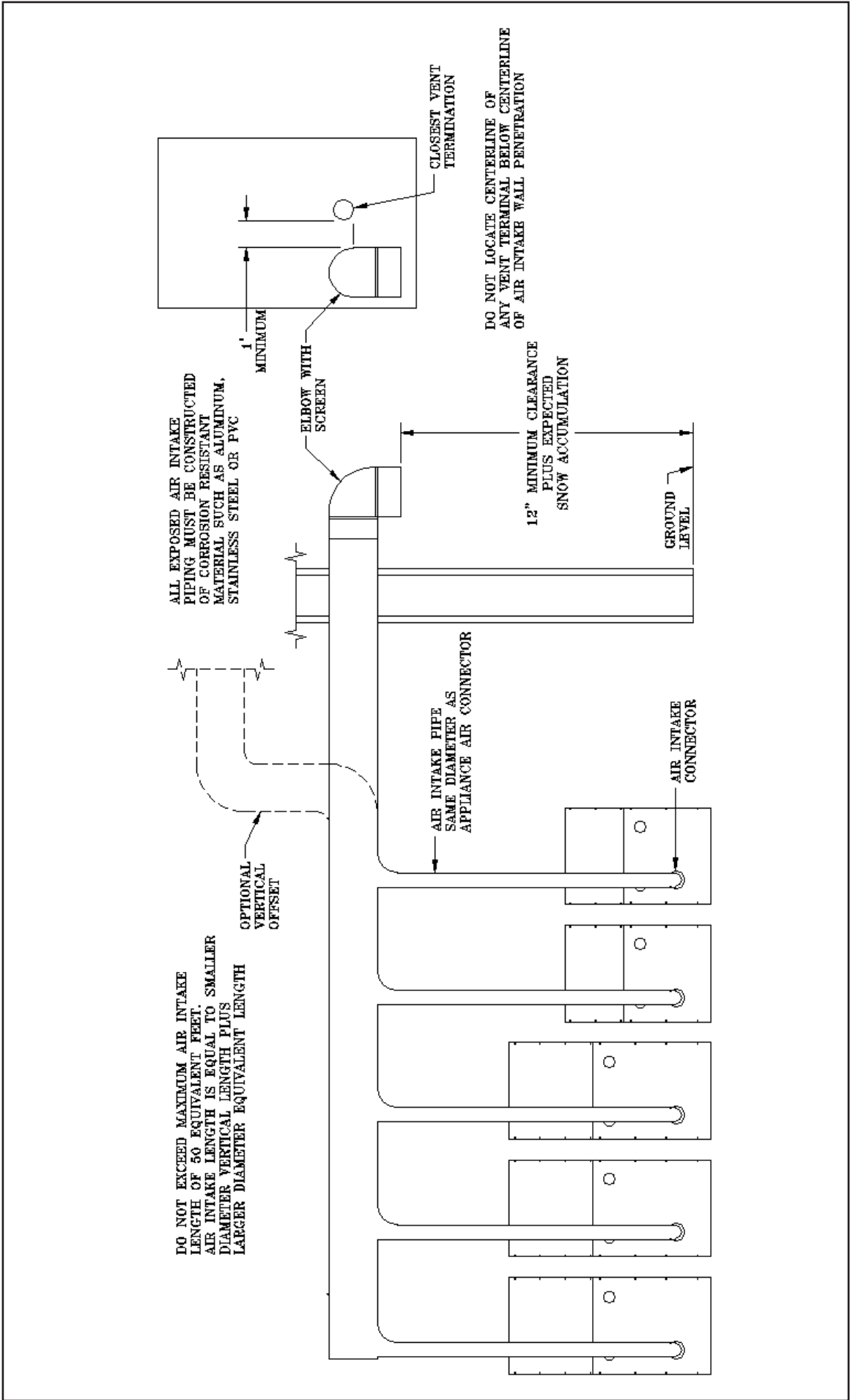


Figure 11: Modular System Horizontal Air Intake Piping

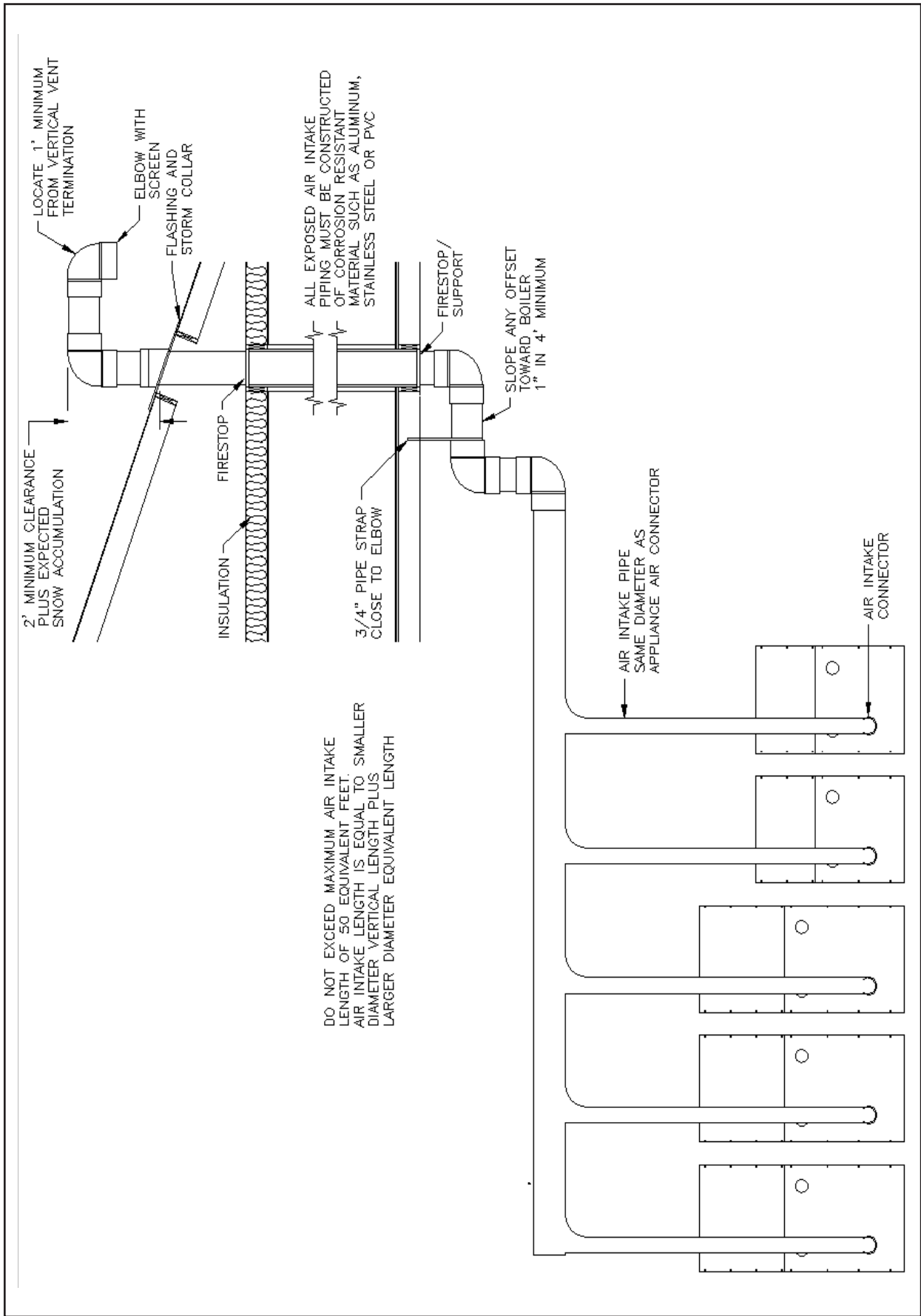


Figure 12: Modular System Vertical Air Intake Piping

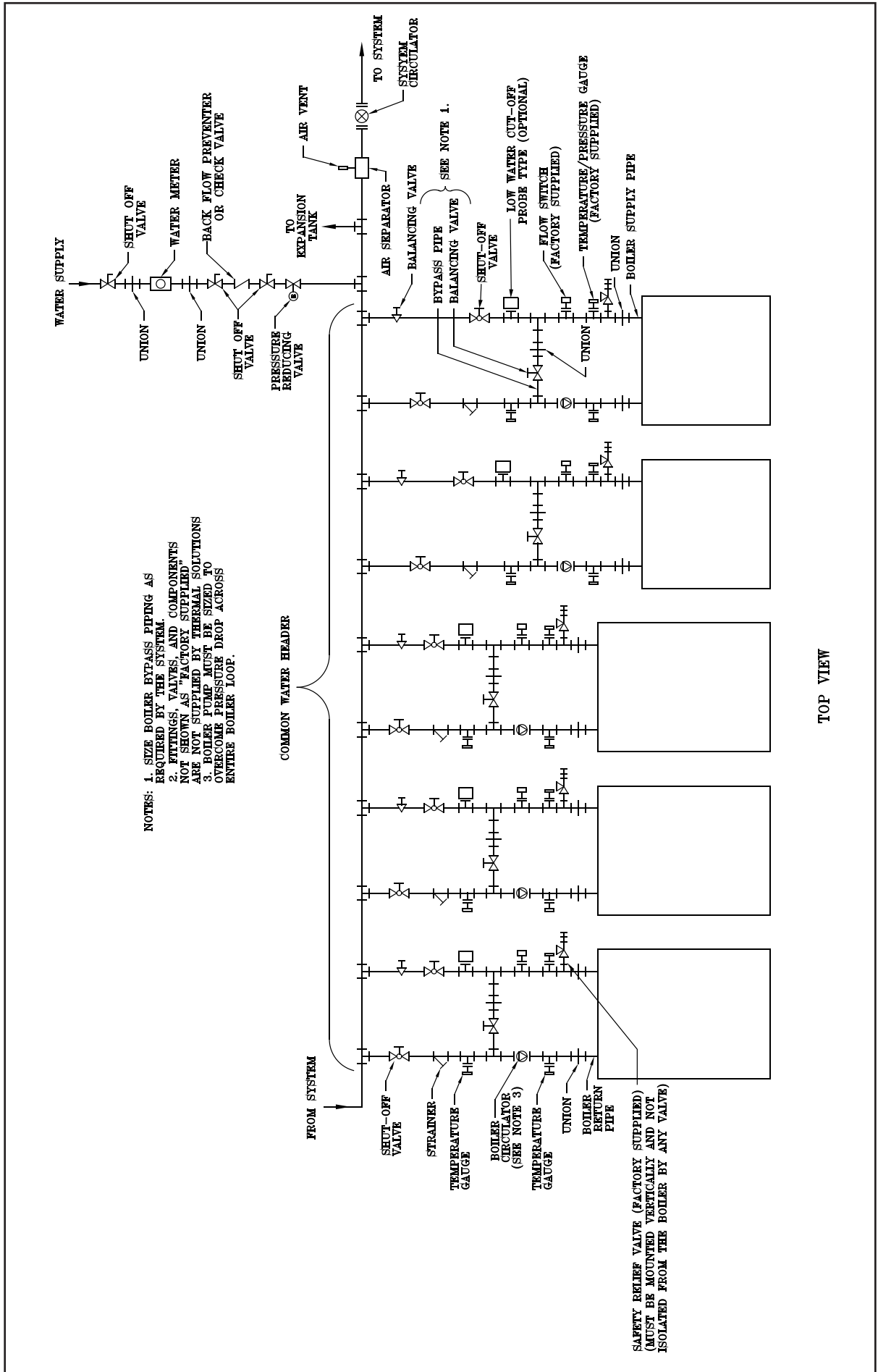
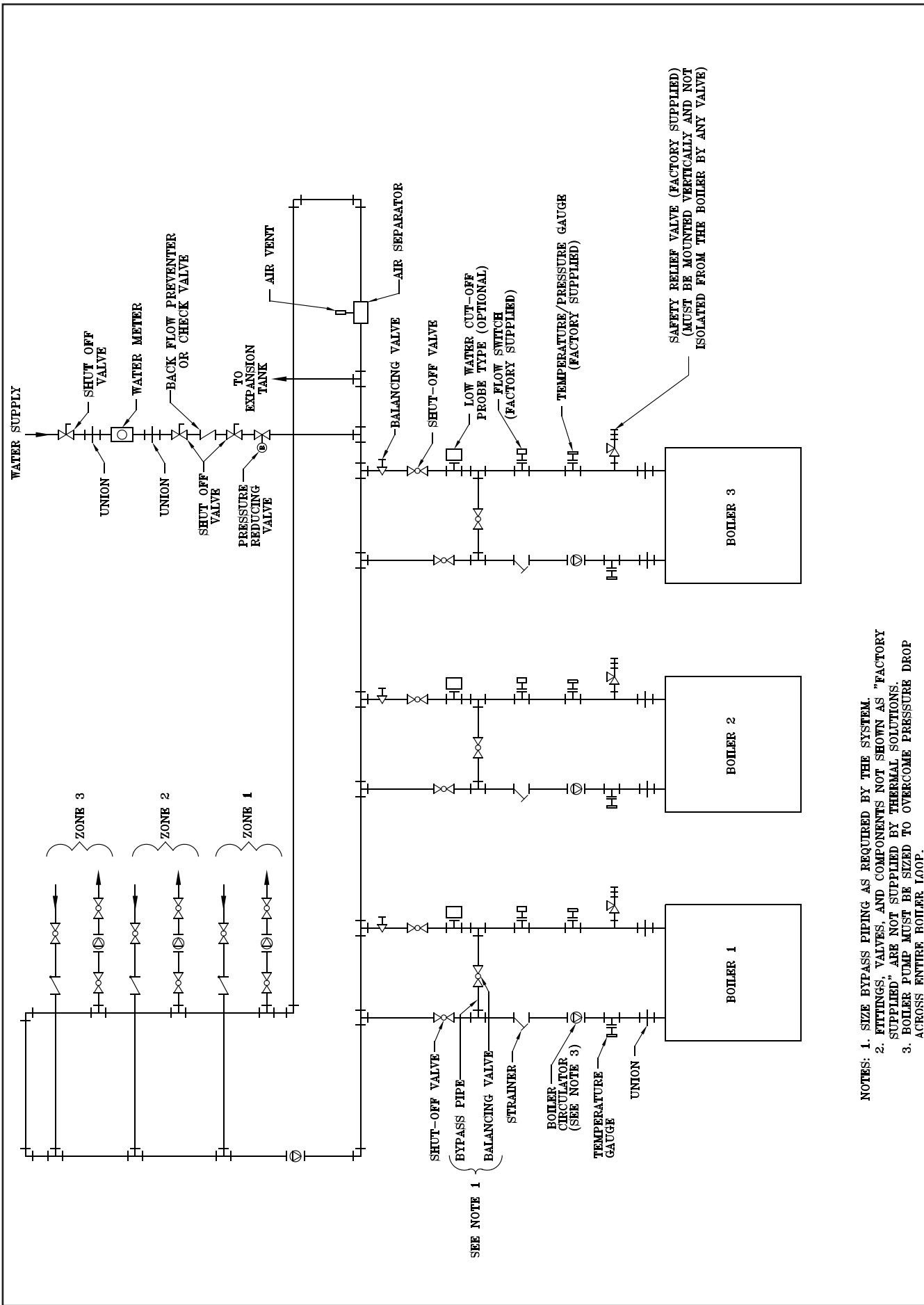


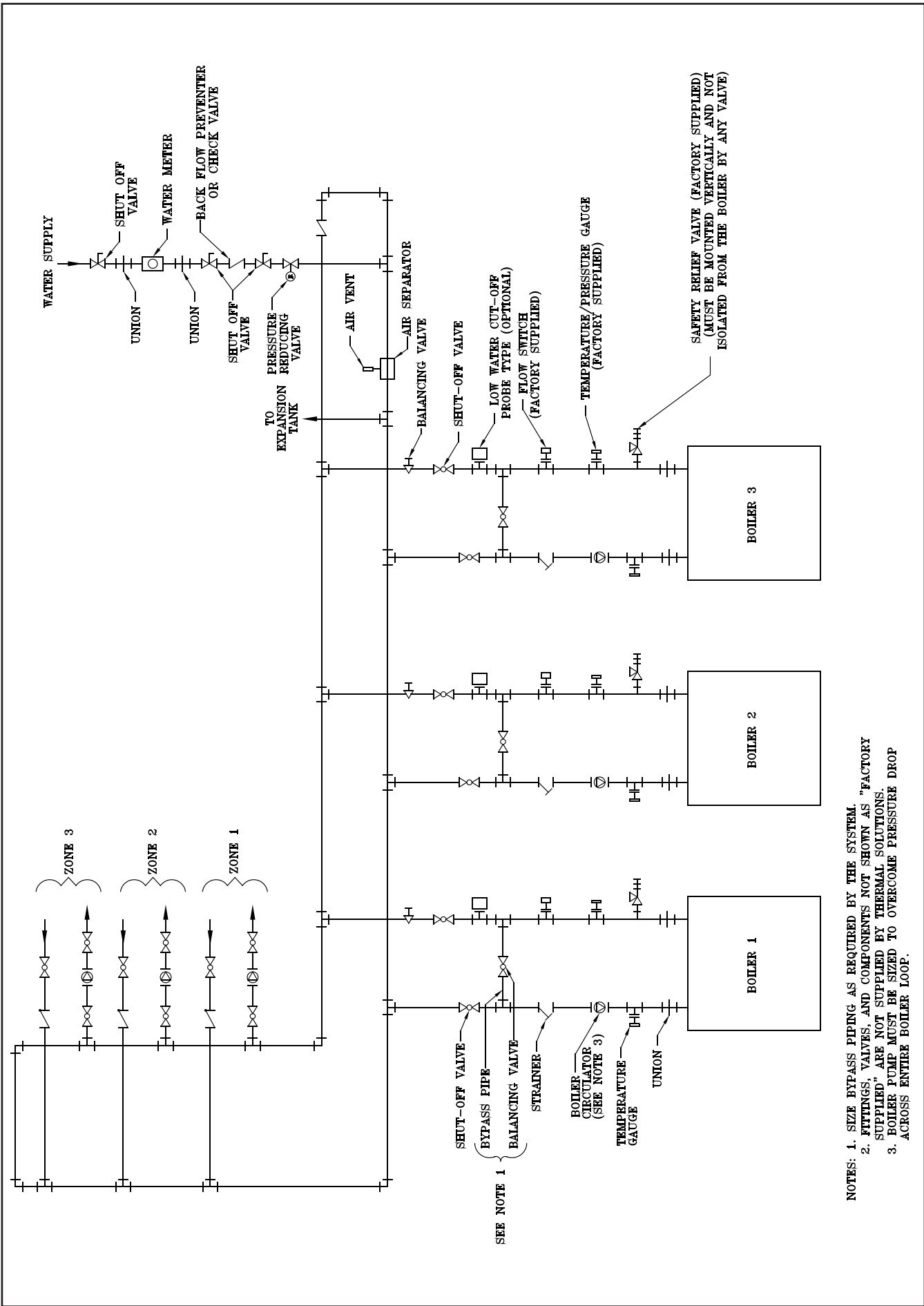
Figure 13: Modular System: Typical One Pipe Water Piping





- NOTES: 1. SIZE BYPASS PIPING AS REQUIRED BY THE SYSTEM.  
 2. FITTINGS, VALVES, AND COMPONENTS NOT SHOWN AS "FACTORY SUPPLIED" ARE NOT SUPPLIED BY THERMAL SOLUTIONS.  
 3. BOILER PUMP MUST BE SIZED TO OVERCOME PRESSURE DROP ACROSS ENTIRE BOILER LOOP.

Figure 14: Modular System: Typical Primary/Secondary Water Piping



- NOTES: 1. SIZE BYPASS PIPING AS REQUIRED BY THE SYSTEM.  
 2. FITTINGS, VALVES, AND COMPONENTS NOT SHOWN AS "FACTORY SUPPLIED" ARE NOT SUPPLIED BY THERMAL SOLUTIONS.  
 3. BOILER PUMP MUST BE SIZED TO OVERCOME PRESSURE DROP ACROSS ENTIRE BOILER LOOP.

Figure 15: Modular System: Typical Primary/Secondary without System Pump

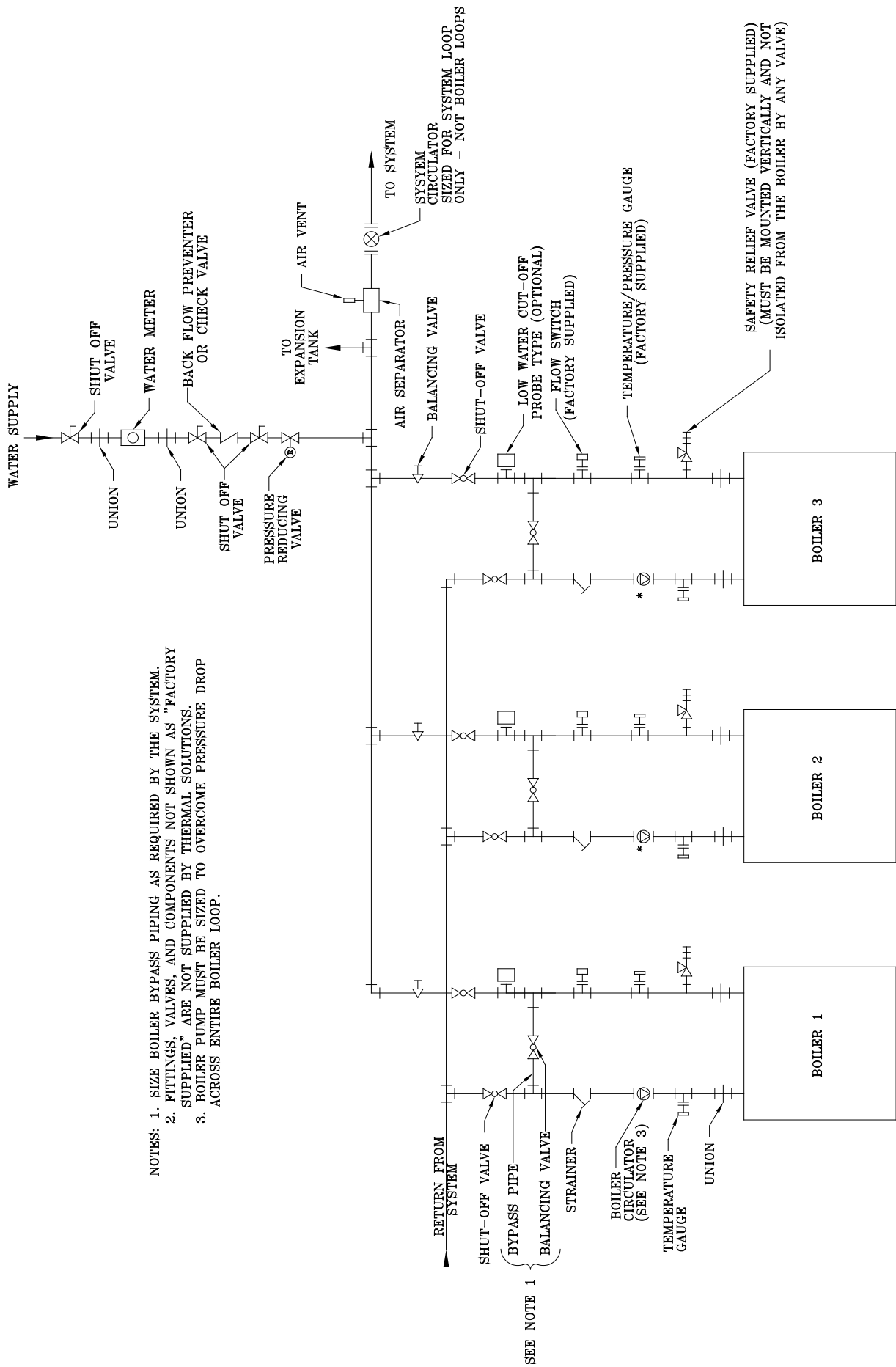


Figure 16: Modular System: Typical Reverse - Return Water Piping

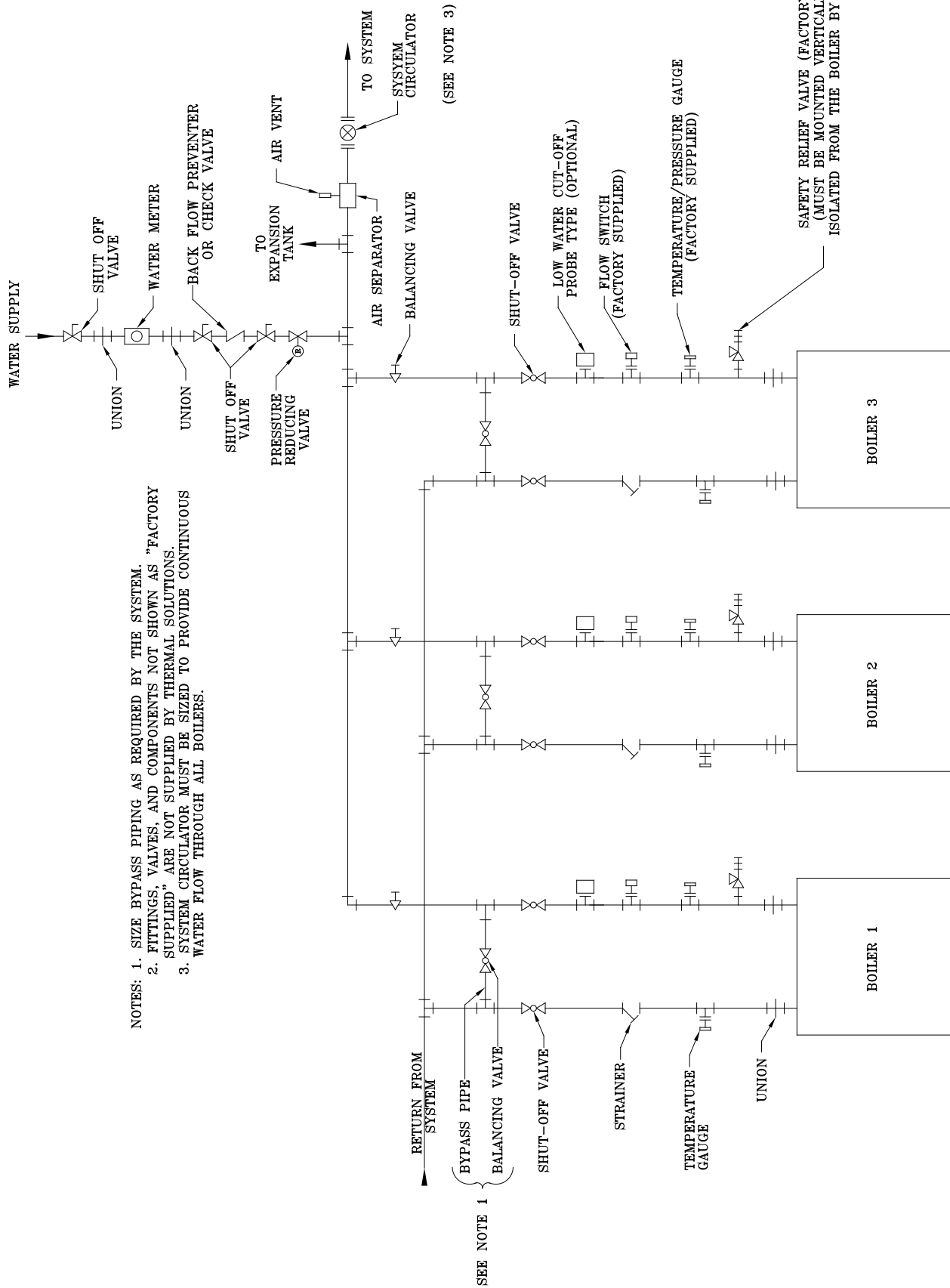
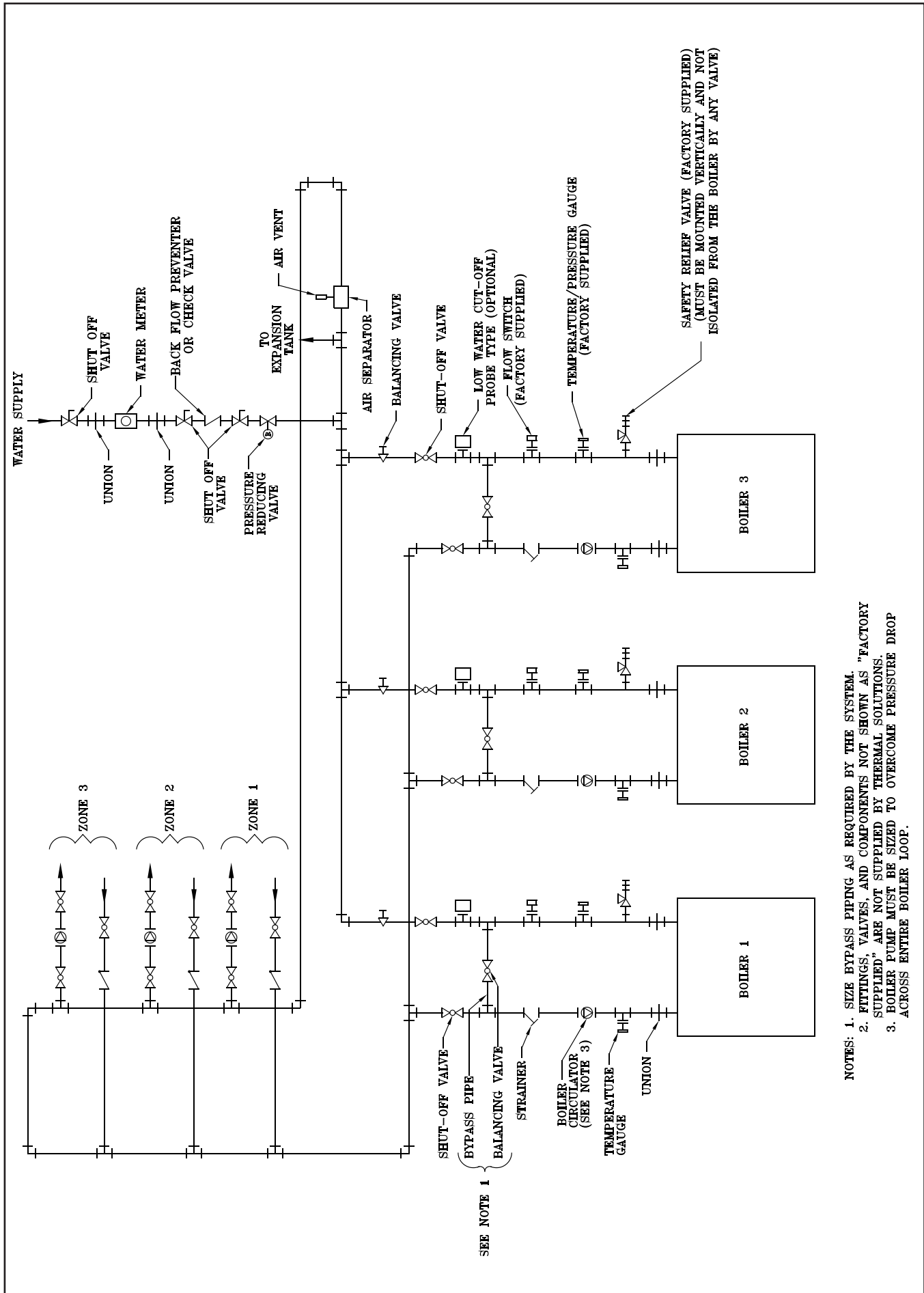


Figure 17: Modular System Reverse - Return with System Pump Only



- NOTES:
1. SIZE BYPASS PIPING AS REQUIRED BY THE SYSTEM.
  2. FITTINGS, VALVES, AND COMPONENTS NOT SHOWN AS "FACTORY SUPPLIED" ARE NOT SUPPLIED BY THERMAL SOLUTIONS.
  3. BOILER PUMP MUST BE SIZED TO OVERCOME PRESSURE DROP ACROSS ENTIRE BOILER LOOP.

Figure 18: Modular System: Typical Primary/Secondary with Reverse-Return

## 7. Electrical

- a. Each boiler must be provided with a dedicated fused disconnect.
- b. Install wiring and ground boiler in accordance with requirements of authority having jurisdiction. In absence of such requirements, reference the National Electrical Code, ANSI/NFPA 70 and/or CSA C22.1 Electrical Code.
- c. Refer to Figure 1 for electrical data for each size boiler.
- d. Refer to the Electrical section for further warnings, cautions, notices and instructions.

### NOTICE

**Do not install boiler and circulator pump on the same fused disconnect.**

## 8. Condensate Piping

- a. Each boiler requires separate condensate drains. In addition, most venting configurations require separate condensate drains in the vent system.
- b. Refer to Section H for condensate removal system.

## H. CONDENSATE DRAINS

1. Each boiler contains a condensate drain. In addition, most vent configurations require a drain tee located in the vent piping. Pipe each condensate drain separately to a floor drain or condensate pump/sump.
2. Use continuous Teflon, high temperature resistant silicone tubing, or other tubing material compatible with flue gas condensate, for condensate piping. Do not install valves on condensate drain lines.

### CAUTION

**Failure to properly pipe condensate system will greatly reduce boiler life. Do not install plugs, caps or valves on condensate piping.**

**Do not manifold boiler condensate drains or vent drains together.**

**Do not crimp condensate lines or reduce drain line inner diameter size.**

**Each condensate drain must contain a siphon/pigtail or trap to prevent flue gas flow through the condensate piping. The height of the top of the syphon/pigtail loop or trap shall not exceed the height of the condensate drain outlet.**

3. A common condensate pump/sump may be used. Run separate piping from each condensate drain to the sump. A common drain may be used to discharge condensate from the sump. Consult pump/sump manufacturer for compatibility of pump/sump materials of construction. If a common sump is used, individual drain lines should be connected such that one drain cannot back feed into another drain.
4. Consult local authorities regarding disposal of flue gas condensate into public waste water system. Some jurisdictions require that the condensate be buffered before discharge. This buffering is commonly achieved by draining the condensate through a limestone (calcium carbonate) bed. The condensate will be slightly acidic and range between 3-5 on the pH scale. Consult Thermal Solutions or a chemical treatment company for buffering systems.

### CAUTION

**Do not use material that is not approved for use with flue gas condensate for condensate piping.**

## IV. System Start-up

### CAUTION

Failure to properly pipe boiler may result in improper operation and damage to boiler or structure.

Oxygen contamination of boiler water will cause corrosion of iron and steel boiler components, and can lead to boiler failure. Thermal Solutions Standard Warranty does not cover problems caused by oxygen contamination of boiler water.

Proper water treatment is required to avoid scale build-up on the inside of the boiler. Thermal Solutions standard warranty does not cover problems caused by scale build-up.

All piping either new or existing must be cleaned with a tri sodium phosphate (TSP) solution to remove mill scale and oils from the system. Failure to do so could result in premature failure of the heat exchanger (not covered by Thermal Solutions warranty).

On an existing or retrofit system, a filter or strainer must be installed on the system return prior to the boilers.

When using Glycol products, all Glycol manufacturers' requirements, including rust inhibitors, must be adhered. Max 50% Glycol.

#### A. System Check

1. Verify that the venting, water piping, gas piping and electrical system are installed properly. Refer to installation instructions contained in this manual.

### WARNING

Completely read, understand and follow all instructions in this manual, Honeywell flame safeguard, and all other component manuals supplied with this boiler before attempting start up.

2. Confirm all electrical, water and gas supplies are turned off at the source and that chimney/vent is clear of obstructions. If boiler is controlled by an external control system, this system must be temporarily disconnected. The local boiler controls should be allowed to operate the boiler.
3. Remove the upper front jacket panel.
4. Confirm that all manual shut-off gas valves between the boiler and gas supply are closed.

### CAUTION

This boiler contains a manual gas shut-off valve inside of the upper front jacket panel.

- B. **Pressurize the Hydronic System** - fill entire heating system with water and vent air from system. Use the following procedure on a Series Loop or multi-zoned system installed to remove air from the system while filling.
  1. Close full port ball valve in boiler supply piping.
  2. Isolate all zones by closing zone valves or shut-off valves in supply and return of each zone(s).
  3. Attach a hose to the hose bib in system piping and terminate hose in a five gallon bucket at a suitable floor drain or outside area.
  4. Starting with one circuit at a time, open zone valve or shut-off valve in system supply and return piping.
    - a. Open hose bib.
    - b. Open fill valve (Make-up water line should be located directly after full port ball valve in system supply piping between air scoop and expansion tank).
    - c. Allow water to overflow from bucket until discharge from hose is bubble free for 30 seconds.
    - d. Close the opened zone valve or shut-off valve for the zone being purged of air, then open the zone valve or shut-off valve for the next zone to be purged. Repeat this step until all zones have been purged. At completion, open all zone valves or shut-off valves.
  5. Close hose bib, continue filling the system until the pressure gauge indicates required system operating pressure. Close fill valve.

(Note - if make-up water line is equipped with pressure reducing valve, system will automatically fill to set pressure. Follow fill valve manufacturer's instructions).
  6. Open isolation valve in boiler supply piping.
  7. Remove hose from hose bib.
  8. Confirm that the boiler and system have no water leaks.

## WARNING

**The maximum operating pressure of this boiler is 160 psig. Never exceed this pressure. This boiler was supplied with a safety relief valve with a pressure relief setting specified at the time of purchase. The relief valve setting must be above the maximum operating pressure of the system. Consult Thermal Solutions if the desired system operating pressure is above the safety relief valve pressure setting. Do not plug or change safety relief valve.**

**C. Power the boiler** - Turn on electrical supply to the boiler and circulation system at fused disconnect switches. Turn on control circuit breaker inside front jacket panel. Note that there is electrical power at certain components even with the boiler operating switch off. See wiring diagrams in Figures 9a-9c.

**D. Power the Circulators** - Turn system circulators on and purge air from the boiler and system piping.

1. Confirm motor rotation on boiler and system circulators.
2. Confirm that water flow switch is operating properly.

**E. Pressurize the Fuel System** - Turn on gas supply to the boiler gas piping.

1. Confirm that the supply pressure to the gas regulator supplied with the boiler conforms to Table 3 for maximum and minimum supply pressures.
2. Open the manual gas shut-off valves located upstream of the gas regulator supplied with the boiler. Do not open manual gas valve inside of boiler jacket.

## DANGER

**Do not use matches, candles, open flames or other ignition source to check for leaks.**

3. Using soap solution, or similar non-combustible solution, electronic leak detector or other approved method, check that boiler gas piping valves, regulators and all other components are leak free. Eliminate any leaks.
4. Purge gas line of air.
5. Reset low gas pressure safety switch.

**F. Turn the boiler operating switch to the on position.**

**G. Check Blower Rotation** - Remove air filter to expose the fan blades.

1. Allow boiler to enter the sequence of operation.
2. While in Pre-Purge, position the flame control to the test position.
3. Confirm proper blower motor rotation.
4. Shut boiler off and position the flame control back to run. Reinstall air filter.

**H. Flame Safeguard Operation Check** - Turn boiler operating switch to the on position.

1. Allow boiler to complete prepurge and trial for ignition period. Once pilot flame is recognized by controller, position flame control switch to test position.
2. Look through the boiler sight glass and confirm that pilot flame is blue and steady and that the flame signal is steady and between 1.5 and 5.0 volts DC. On some boiler sizes, the pilot flame may not be visible. In these cases, confirm proper flame signal (as indicated above.)
3. Adjust pilot gas regulator until proper pilot manifold gas pressure is achieved per firetest report label. Pilot flame should be blue with very little yellow.
4. Turn the boiler off, place flame control switch in "run" position, and repeat Steps H.1 and H.2 at least five times until reliable pilot ignition and signal is achieved and confirmed.
5. With the pilot operating properly, allow boiler to continue to trial for main flame. Confirm that the flame control locks out on main flame failure.
6. Open the manual main gas shut-off valve located inside the boiler jacket. Using the procedure detailed in Step E.3, leak test gas piping and valves upstream of the boiler main gas valve. Eliminate any leaks.
7. Reset flame safeguard and allow boiler to run through prepurge, trial for pilot and trial for main flame.
8. Confirm that main flame ignites smoothly.
9. Observe main flame and confirm that burner element is evenly orange without flickering.
10. Observe flame signal and confirm signal is steady and between 1.5 and 5.0 volts DC.
11. Using the procedure detailed in step E.3, leak test gas piping and valves downstream of the boiler gas valve. Eliminate any leaks.



12. Turn boiler off and repeat Steps H.7-H.10 at least five times to confirm proper main burner operation.

- I. Begin Commissioning the boiler** - With main flame on, at high fire, measure gas pressure upstream and downstream of the main gas valves
1. Adjust the manifold pressure to match the pressure indicated on the factory firetest label.
  2. Ensure that the inlet gas pressure is within the acceptable range found in Table 3. Adjust if necessary.

## WARNING

**Failure to properly adjust gas input rate will result in over firing or under firing of the appliance. Improper and unsafe boiler operation may result.**

3. Confirm that high and low gas pressure switches are functioning and are adjusted to prevent over firing or under firing of the boiler.
4. Adjust setting of air filter flow switch by rotating knob on switch counter clockwise until change filter light switch is illuminated. Turn switch knob clockwise ¼ turn past the point where the change filter light goes out. Replace upper front jacket panel.
5. With boiler running and all panels attached, measure oxygen (O<sub>2</sub>) and carbon monoxide (CO) concentrations in the flue gas and flue gas temperature. Compare results with values given on factory firetest report supplied with the boiler.

## DANGER

**Failure to properly adjust excess air will result in unsafe levels of carbon monoxide. Variations in venting or combustion air pressure and temperature will change excess air. Adjust excess air levels so that variation in venting or combustion air pressures and temperatures caused by change of seasons, wind conditions, opening or closing of boiler room doors or windows do not cause the boiler to operate with carbon monoxide concentrations above 400 parts per million.**

6. Verify that all safety and operating limits and flame controls are operating properly. These controls and limits include combustion air switch, water temperature operating control, manual reset water temperature safety limit, vestibule fuseable link, mixer fuseable link, high and low gas pressure switches. Refer to manuals for these components for proper start-up and operating instructions. Follow all instructions contained in these manuals. This manual was provided with the boiler.

- J. Finish Commissioning at the Boiler** - Reconnect any wires from the external control system, if applicable.

1. Test function of external control system.
2. Place system control back in normal operation, if necessary.

- K. Water Treatment** - Contact reputable chemical treatment company for recommendations on proper water treatment for the installation. Each installation is different and must be analyzed based on local water conditions and boiler operating schedule.

The treatment chemicals must be compatible with copper, bronze, steel and cast iron materials of construction.

## CAUTION

**A proper water treatment and a monitoring program will extend the life of the boiler. The water shall have a maximum water hardness of 8.5 grains or 150 ppm. The recommended pH range is 8.8 to 9.2. However, other aspects of water quality can affect boiler operation and longevity. A qualified water treatment expert should be consulted to develop a complete water treatment plan.**

## WARNING

**Chemicals used in treating boiler water are toxic and/or harmful. Always use protective clothing and equipment when working with/near chemicals. Contact local authorities to determine if treated boiler water can be discharged into local waste water system.**

## V. Lighting Instructions

### FOR YOUR SAFETY, READ BEFORE OPERATING



**WARNING:** If you do not follow these instructions exactly, a fire or explosion may result causing property damage, personal injury, or loss of life.

- A. This appliance is equipped with an ignition device which automatically lights the pilot. Do **NOT** try to light the pilot by hand.
- B. BEFORE OPERATING smell all around the appliance area for gas. Be sure to smell next to the floor because some gas is heavier than air and will settle on the floor.
- C. Do not use this appliance if any part has been under water. Immediately call a qualified service technician to inspect the appliance and to replace any part of the control system and any gas control which has been under water.
- If you cannot reach your gas supplier, call the fire department.

#### WHAT TO DO IF YOU SMELL GAS

- Do not try to light any appliance.
- Do not touch any electric switch; do not use any phone in your building.
- Immediately call your gas supplier from a neighbor's phone. Follow the gas supplier's instructions.

### OPERATING INSTRUCTIONS

1. STOP! Read all the safety information (warnings, cautions etc.) in this manual.
2. Turn off all electric power to the appliance.
3. Set the system control so that there is **no** call for heat to the appliance.
4. This appliance is equipped with an ignition device which automatically lights the pilot and main burner. Do **not** try to light the pilot or main flame by hand.
5. Remove front door panel.
6. Locate the gas pilot valve at the rear of the appliance.
7. Locate the gas main valves at the rear of the appliance and at the end of the gas supply pipe inside the appliance.
8. Rotate gas shutoff valves clockwise  from "ON" position to "OFF". Make sure handle rests against stop.
9. Wait five (5) minutes to clear out any gas. Then smell for gas, including near the floor. If you smell gas, STOP! Follow "B" in the safety information above on this label. If you do not smell gas, go to the next step.
10. Rotate gas shutoff valves counterclockwise  from "OFF" to "ON". Make sure handle rests against stop. Do not force.
12. Turn on all electric power to the appliance.
13. Set thermostat to desired setting.
14. If the appliance will not operate, follow the instructions " TO TURN OFF GAS TO APPLIANCE" and call your service technician or gas supplier.
15. Move the switch to the "ON" position.
16. Set system control so that there is a call for heat from the system.
17. Observe prepurge, pilot ignition and main flame ignition.
18. If pilot or main flame ignition does not occur during initial attempt, remove the upper front jacket panel of the appliance. If the appliance pilot and main flame light, go to step 20.

## OPERATING INSTRUCTIONS CONTINUED

19. Reset the burner control by pressing the reset button located on the burner control. If you do not know where the control reset button is, do not touch any part of the control system or wiring. Turn all gas and electrical power off to the appliance and call a qualified service technician.

20. Replace the upper front jacket panel.

21. Observe several on and off cycles of the water heater. If any light offs are excessively noisy or rough, or any questionable boiler operation is noticed, immediately turn off all gas and electrical power and call qualified service technician.


22. Should overheating occur or the gas supply fail to shut off, turn off the manual gas control to the appliance.

## To Turn Off Gas To Boiler


1. Set the thermostat to lowest setting.

2. Turn off electric power to the appliance if service is to be performed.

3. Remove front door.

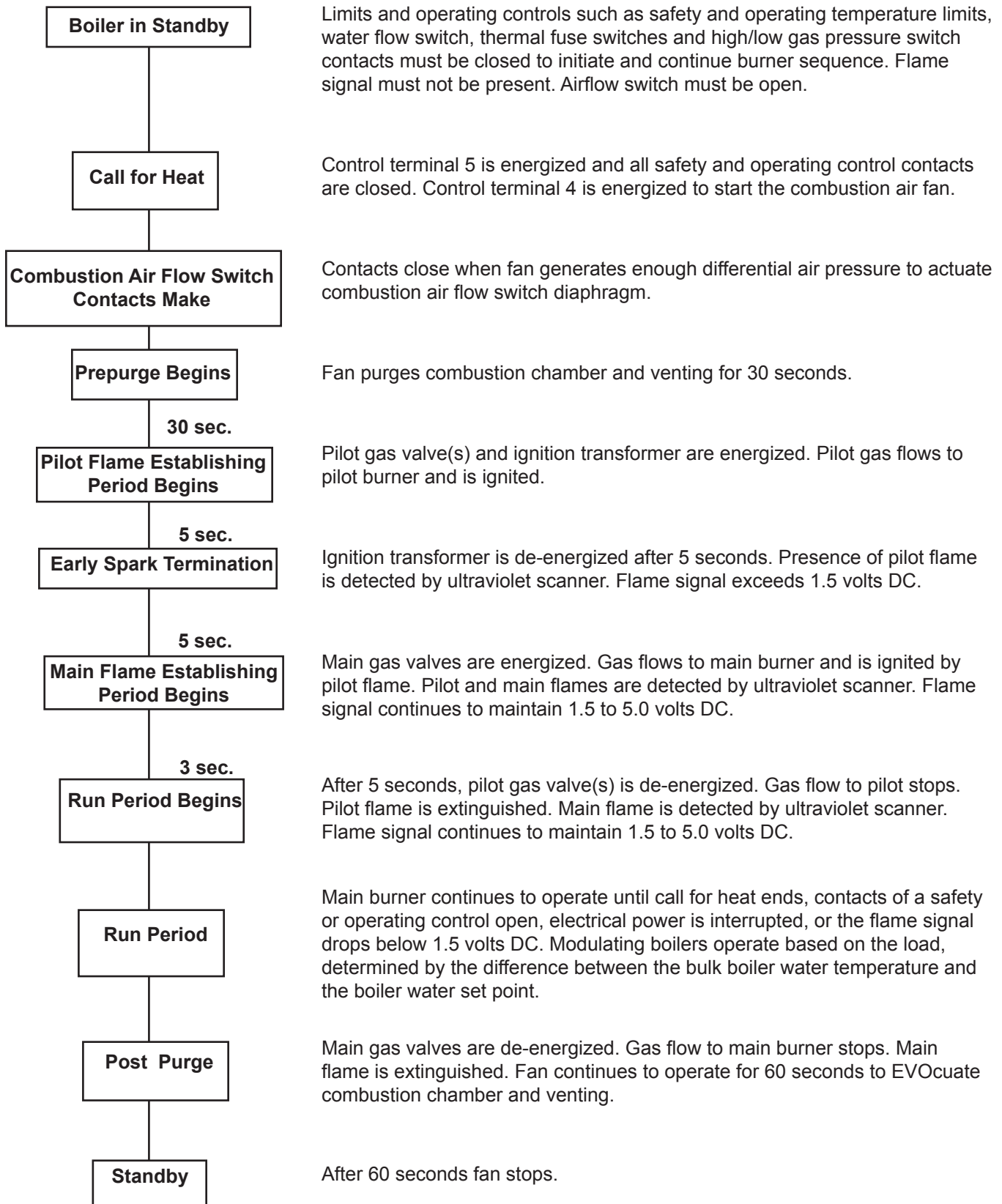
4. Rotate gas main shutoff valves, located inside the appliance, clockwise  from "ON" position to "OFF". Make sure handle rests against stop.

5. Replace front door.

6. At the rear of the unit, rotate the pilot and main gas valves clockwise  from "ON" position to "OFF". Make sure handle rests against stop.

## VI. Boiler Operational Sequence

### NORMAL SEQUENCE OF OPERATION



## VII. Service

### **DANGER**

This boiler uses flammable gas, high voltage electricity, moving parts, and very hot water under high pressure. Assure that all gas and electric power supplies are off and that the water temperature is cool before attempting any disassembly or service.

More than one gas shut-off valve and electrical disconnect switch are used on the boiler. Assure that all gas valves and electrical disconnect switches are off before attempting any disassembly or service.

Do not attempt any service work if gas is present in the air in the vicinity of the boiler.

Never modify, remove or tamper with any control device.

### **WARNING**

This boiler must only be serviced and repaired by skilled and experienced service technicians.

If any controls are replaced, they must be replaced with identical models.

Read, understand and follow all the instructions and warnings contained in all the sections of this manual.

If any electrical wires are disconnected during service, clearly label the wires and ensure that the wires are reconnected properly.

Never jump out or bypass any safety or operating control or component of this boiler.

Do not attempt to remove and/or service the burner. This may result in damage to the burner.

Read, understand and follow all the instructions and warnings contained in ALL of the component instruction manuals.

Assure that all safety and operating controls and components are operating properly before placing the boiler back in service.

### **CAUTION**

USE caution when servicing components behind upper front jacket panel. Filter/mounting bracket may cause head injury.

### **WARNING**

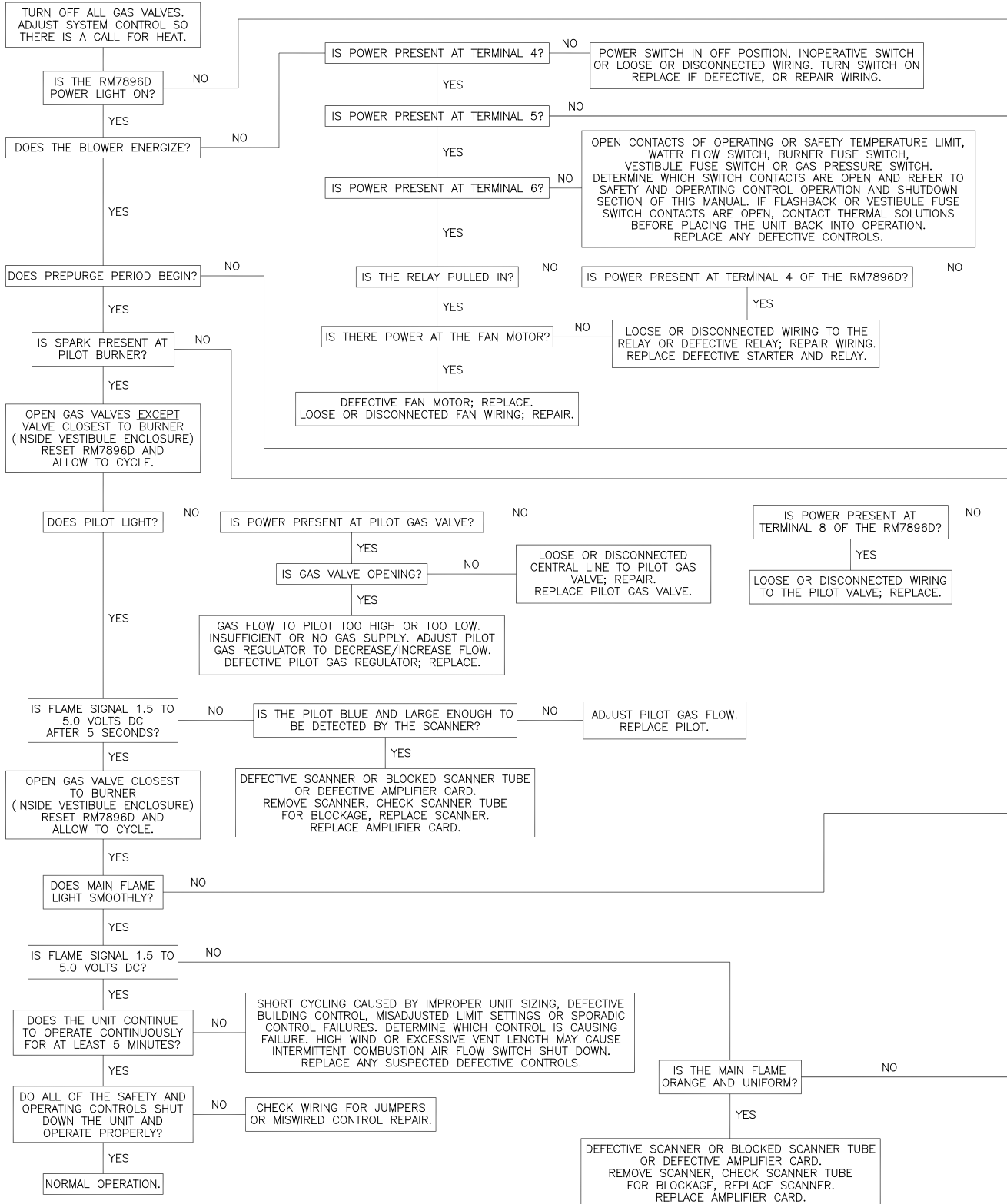
The service instructions contained in this manual are in addition to the instructions provided by the manufacturer of the boiler components. Follow component manufacturer's instructions. Component manufacturer's instructions were provided with the boiler. Contact component manufacturer for replacement if instructions are missing. Do not install, start up, operate, maintain or service this boiler without reading and understanding all of the component instructions. Do not allow the boiler to operate with altered, disconnected or jumpered components. Only use replacement components identical to those originally supplied by Thermal Solutions.

## A. Safety and Operating Controls. Operation and Shut Down

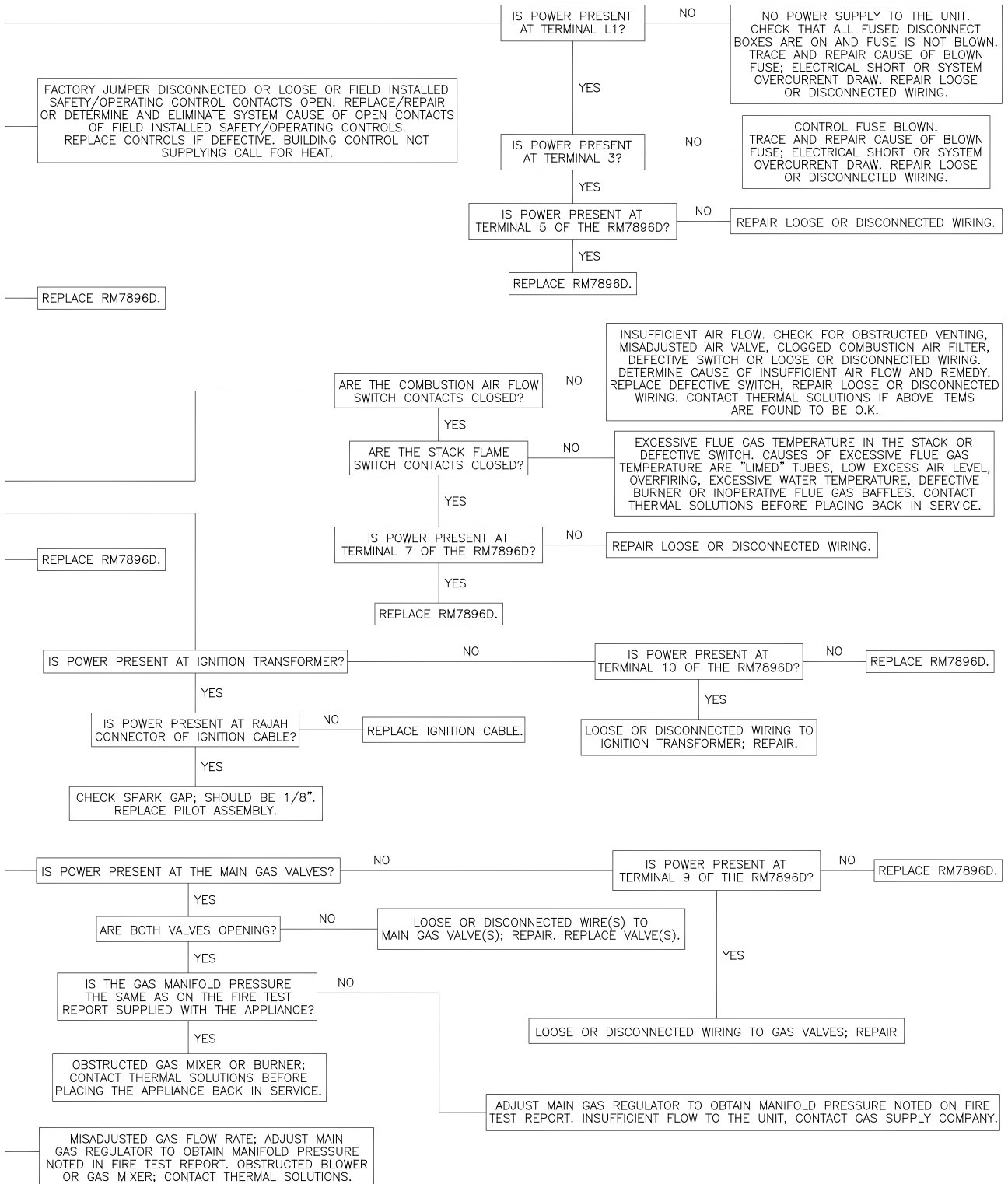
Component	Function
Control Circuit Breaker	If the power draw of the control circuit exceeds approximately 5 amps, the circuit breaker trips and prevents the boiler from powering until circuit breaker is reset.
Power Switch	If this switch is in the off position, power is interrupted to the control circuit of the boiler which prevents the boiler from operating. If the switch is in the on position, power is supplied to the control circuit.
Operating Aquastat	If the boiler water temperature exceeds the adjustable set point, power is interrupted to the control circuit of the boiler which prevents the boiler from operating. When the boiler water temperature drops below the set point minus the adjustable differential setting, power is again supplied to the control circuit.
Manual Reset High Limit Aquastat	If the boiler water temperature exceeds the adjustable set point, power is interrupted to the control circuit of the boiler which prevents the boiler from operating. Power is interrupted until the control is manually reset by pressing the control's reset button. When the button is depressed, power will again be supplied to the control circuit.
Flow Switch	If the water flow through the boiler drops below the fixed flow rate required to move the control's paddle enough to close the controls contacts, power is interrupted to the control circuit, which prevents the boiler from operating. When the water flow rate is increased, the paddle closes the control's contacts and power is supplied to the control circuit.
Pressure (Safety) Relief Valve	If the pressure inside the appliance exceeds the fixed set point, the valve opens mechanically and discharges water. The valve remains open until the pressure inside the appliance drops below the set point.
Mixer Fuseable Link	If the temperature in the interior of the burner exceeds the fixed set point, the contacts of the switch open and power is interrupted to the control circuit which prevents the boiler from operating. Power is interrupted until the switch is replaced.
Vestibule Fuseable Link	If the temperature in the interior of the vestibule enclosure exceeds the fixed set point, the contacts of the switch open and power is interrupted to the control circuit which prevents the boiler from operating. Power is interrupted until the switch is replaced.
High and Low Gas Pressure Switches	If the gas pressure reaches a point below the adjustable set point, or above the adjustable set point, the contacts of the switch open and power is interrupted to the control circuit which prevents the boiler from operating. Power is interrupted until gas pressure is between the high and low set points and the control is manually reset by moving the switch to the reset position. The switches will not reset until the gas pressure is within the set point parameters.
Combustion Air Flow Switch	If the differential air pressure drops below the fixed set point, the contacts of the switch open and power is interrupted to the control circuit, which prevents the boiler from operating. Power is interrupted until air flow increases so that the contacts close.
Flame Safeguard Control	Refer to the manual supplied with the boiler.
Variable Frequency Drive (VFD)	The variable frequency drive's primary function is to vary the rotational speed of the blower fan based on the air requirements of the boiler combustion process. The VFD is used for Modulating boilers. The VFD responds to a 4-20 mA signal from the Digital Temperature Controller.
Digital Temperature Controller	The microprocessor based temperature controller is used on all modulating boilers. The controller's basic function is to control the firing rate of the boiler based on the difference between the bulk boiler water temperature and the controller's set-point. The controller also has the ability to change the operating set-point based on an external signal (contact closure for reduced demand setting or outdoor reset.)

This Page Intentionally Left Blank

## B. Troubleshooting Guide







FACTORY JUMPER DISCONNECTED OR LOOSE OR FIELD INSTALLED SAFETY/OPERATING CONTROL CONTACTS OPEN. REPLACE/REPAIR OR DETERMINE AND ELIMINATE SYSTEM CAUSE OF OPEN CONTACTS OF FIELD INSTALLED SAFETY/OPERATING CONTROLS. REPLACE CONTROLS IF DEFECTIVE. BUILDING CONTROL NOT SUPPLYING CALL FOR HEAT.

REPLACE RM7896D.

REPLACE RM7896D.

IS POWER PRESENT AT IGNITION TRANSFORMER?

IS POWER PRESENT AT RAJAH CONNECTOR OF IGNITION CABLE?

CHECK SPARK GAP; SHOULD BE 1/8". REPLACE PILOT ASSEMBLY.

IS POWER PRESENT AT THE MAIN GAS VALVES?

ARE BOTH VALVES OPENING?

IS THE GAS MANIFOLD PRESSURE THE SAME AS ON THE FIRE TEST REPORT SUPPLIED WITH THE APPLIANCE?

OBSTRUCTED GAS MIXER OR BURNER; CONTACT THERMAL SOLUTIONS BEFORE PLACING THE APPLIANCE BACK IN SERVICE.

MISADJUSTED GAS FLOW RATE; ADJUST MAIN GAS REGULATOR TO OBTAIN MANIFOLD PRESSURE NOTED IN FIRE TEST REPORT. OBSTRUCTED BLOWER OR GAS MIXER; CONTACT THERMAL SOLUTIONS.

**NOTICE**  
BEFORE REPLACING RM7896D, CONFIRM THAT ALL THE WIRING TO THE SUB-BASE IS SECURE AND THAT THE SUB-BASE CONTROLS ARE NOT BENT TO THE REAR.

### C. PERIODIC MAINTENANCE RECOMMENDED CHECK LIST

Frequency	Component/Item	Recommended Test
<b>Daily Maintenance</b>	Boiler surroundings	Inspect the area to assure proper clearance to combustible materials, gasoline, and other flammable vapors and liquids.
	Gauges, monitors, and indicators	Make visual inspection and record readings.
	Combustion Properties	Check combustion properties as specified in section VII, part D.
	Burner flame	Make visual inspection of burner flame as stated in section VII, part D.
	Low Draft, fan air pressure, and damper position interlocks	Test low draft, fan, air pressure, and damper position interlocks according to instructions if so equipped.
<b>Weekly Maintenance</b>	Igniter	Make visual inspection, check flame signal strength; log.
	Flame signal strength	Read and log flame signal meter, read for both pilot and main flames.
	Flame failure detection system	Close manual fuel supply for (1) pilot, (2) main fuel cock, and/or valve(s); check safety shutdown timing. Refer to section VII, Part D.
	Firing rate control	Check firing rate control, place RWF 40 in manual mode and check high and low firing settings for proper operation.
	Pilot and/or main fuel valves	Open limit switch and make aural and visual check; check valve position indicators and check fuel meters if so fitted.
<b>Monthly Maintenance</b>	Low-water fuel cutoff	Test low-water fuel cutoff device and alarm according to manufacturer's instructions.
	Flue, vent, stack, condensate drains, and outlet dampers	Confirm that components are gas tight and free from obstructions to flow.
	Gas pressure interlocks	Test high and low gas pressure interlocks.
<b>Semi-Annual Maintenance</b>	Water condition	Test condition of water, correct condition as needed.
	Gauges, monitors, and indicators	Recalibrate all indicating and recording gauges.
	Flame failure detection system	Check components.
	Condensate drain tubes	Check drain tubes have liquid in trap and condensate is properly directed.
<b>Annual Maintenance</b>	Air filter	Check air filter as specified in section VII, Part D.
	Interlocks and valves	Check piping and wiring of all interlocks and shut off valves if so equipped.
	Circulators and system pumps	Maintain according to manufacturers' instructions.
	Flue, vent, stack, or outlet dampers	Confirm that components are gas tight and free from obstructions to flow.
	Combustion Properties	Check combustion properties as specified in section IV, Part I, Step 5.
	Flame failure detection system	Conduct pilot turndown test according to manufacturer's instructions. This test is required annually and after any adjustments to flame scanner mount or pilot burner.
	Pilot and/or main fuel valves	Check all coils and diaphragms; test other operating parts of all safety shutoff and control valves.
Pilot and/or main fuel valves	Perform leakage test on pilot and main gas and/or oil fuel valves, in accordance with instructions.	
<b>As-Required</b>	Flame safeguard	Test purge timing according to manufacturer's instructions.
	Air Filter	Replace.
	Boiler trim	Remove lower front jacket panel and check for any signs of corrosion and leaks.
	High limit and operating temp. controls	Test proper operation.
<b>As-Required</b>	Low-water fuel cutoff	Recondition or replace.
	Safety relief valves	Test safety relief valves in accordance with ASME Boiler and Pressure Vessel Code, Sections VI and VII.

## **D. Inspection and Cleaning Procedures**

### **Air Filter:**

- A. Perform a visual inspection of air filter and replace as necessary.
  1. Remove upper front panel.
  2. Remove red tube from nipple on filter assembly.
  3. Remove wing nut.
  4. Remove filter assembly from boiler. Remove the blower filter front plate, if necessary.
  5. Remove foam pre-filter and wash with soap and water.
  6. Replace primary filter as necessary.

### **Pilot Flame:**

- A. Perform a visual inspection of pilot burner flame.
  1. Refer to the flame safeguard instruction manual and conduct a pilot turndown test.
  2. Observe pilot operation and record pilot signal. Flame should be steady medium hard blue clearly visible through sight glass.
- B. Pilot Cleaning and Maintenance
  1. Shut off gas supply and disconnect electrical service.
  2. Disconnect scanner, ignition electrode, loosen and remove pilot gas line and combustion air line from fan.
  3. Remove mounting fasteners and pull pilot assembly from heat exchanger.
  4. Examine pilot electrode and set gap to 1/8" if needed. Clean as required.
  5. Reassemble in reverse order using a new gasket available from Thermal Solutions.

### **Burner Flame:**

- A. Perform a visual inspection of main burner flame.
  1. Observe main flame and record flame signal. Flame should be steady deep orange in color with dark blue checkerboard pattern throughout.
  2. Main burner requires no cleaning or annual maintenance

### **Main Burner:**

- A. When properly maintained and operated the burner does not require servicing.

- B. When the air filter is not properly maintained, the burner is susceptible of clogging. Check manifold pressure during the purge cycle to test for clogging.
  1. Install a pressure fitting in the tapping on the gas manifold valve inside the boiler.
  2. Attach a pressure monitoring device to the pressure fitting.
  3. Check the pressure while the boiler is in the purge sequence.
  4. If the measured pressure is considerably higher than expected, consult factory.

### **Check Combustion and Safety Controls:**

- A. Check flame failure detection system with system operating.
  1. Pilot
    - a. Refer to the flame safeguard instruction manual.
    - b. Manually close pilot fuel supply and verify lock out of primary control.
  2. Main Flame
    - a. Refer to the flame safeguard instruction.
    - b. Close manual main fuel shut off valve and verify lockout of primary control.

### **Check Heat Exchanger:**

- A. Remove lower front jacket panel and check for any signs of corrosion and leaks.
- B. Remove pipe plugs in header and inspect inside of copper tubes and header.
- C. Flush boiler and mechanically remove any scale.

## **CAUTION**

**Do not attempt to remove or service burner. Damage to the burner may result. Consult boiler manufacturer.**

---

## VIII. Repair Parts

---

EVO Series repair parts can be ordered through your nearest Thermal Solutions Representative for delivery from Lancaster, PA.

The Representatives can also advise as to the availability of product and repair parts from local sources.

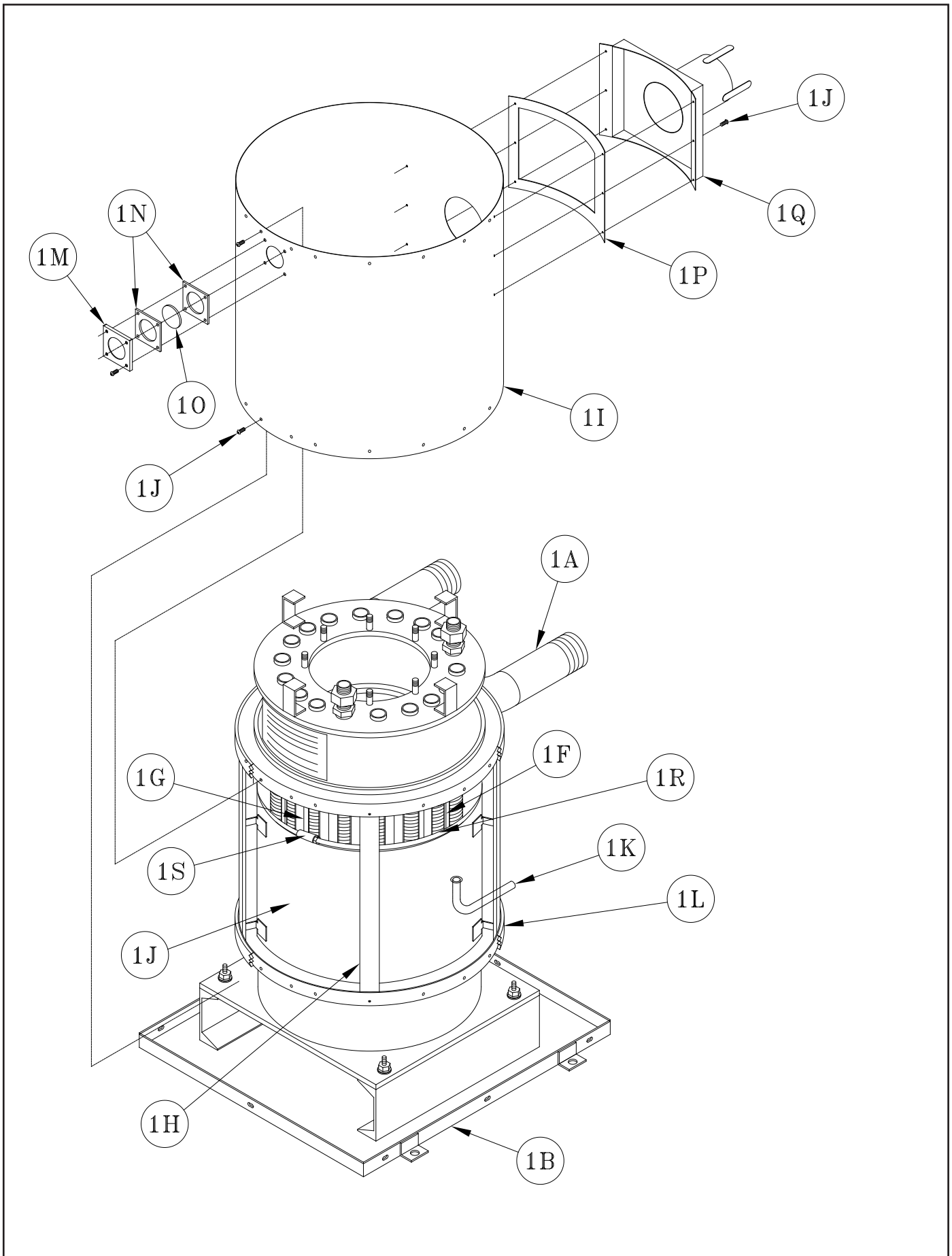
Contact Thermal Solutions for your Representative at:

Thermal Solutions Products LLC  
1175 Manheim Pike  
Lancaster, Pennsylvania 17601  
Telephone (717) 239-7642  
Fax (877) 501-5212 (toll free)  
[www.thermalsolutions.com](http://www.thermalsolutions.com)

### **WARNING**

**The repair parts noted in this section are for a standard EVO Series boiler. Different contents and components may have been supplied due to the request of the equipment end user. Consult Thermal Solutions for repair parts on non-standard controls and components.**

This Page Intentionally Left Blank



**Figure 19: Combustion Chamber Assembly**

COMBUSTION CHAMBER ASSEMBLY						
Key No.	Description	(Quantity) Part Number				
		EVO-500	EVO-750	EVO-1000	EVO-1500	EVO-2000
1. COMBUSTION CHAMBER ASSEMBLY						
1A	Heat Exchanger	(1) 603563002	(1) 6035630031	(1) 6035630041	(1) 6035630051	(1) 6035630061
1B	Base	(1) 61556042	(1) 61556024			
1F	Tube Baffle	(17) 70356116	(31) 70356215	(31) 70356216	(31) 70356217	(31) 70356218
1G	Sight Tube Baffle	(1) 70356122	(1) 70356233	(1) 70356224	(1) 70356225	(1) 70356226
1H	Combustion Pan Support	(4) 603561061	(4) 603562041	(4) 603562051	(4) 603562061	(4) 603562071
1I	Heat Exchanger Wrapper	(1) 70356119	(1) 70356219	(1) 70356220	(1) 70356221	(1) 70356222
1J	Heat Exchange Baffle	(1) 70356235	(1) 70356236	(1) 70356237	(1) 70356238	(1) 70356239
1K	Condensate Drain Tube	(1) 8065603	(1) 8065601			
1L	1" Fiber Gasket	(9 LF) 9206032	(14 LF) 9206032			
1M	Sight Glass Lens Retainer	(1) 7186019				
1N	Sight Glass Gaskets	(2) 8206039				
1O	Sight Glass Lens	(1) 8026082				
1P	Vent Connector Gasket	(1) 8205623	(1) 8205624			
1Q	Vent Connector	(1) 81156027	(1) 81156016	(1) 81156017		
1R	Wrapper Banding	(12 LF) 92466028	(24 LF) 92466028			
1S	Banding Buckle	(3) 80860946	(4) 80860946			

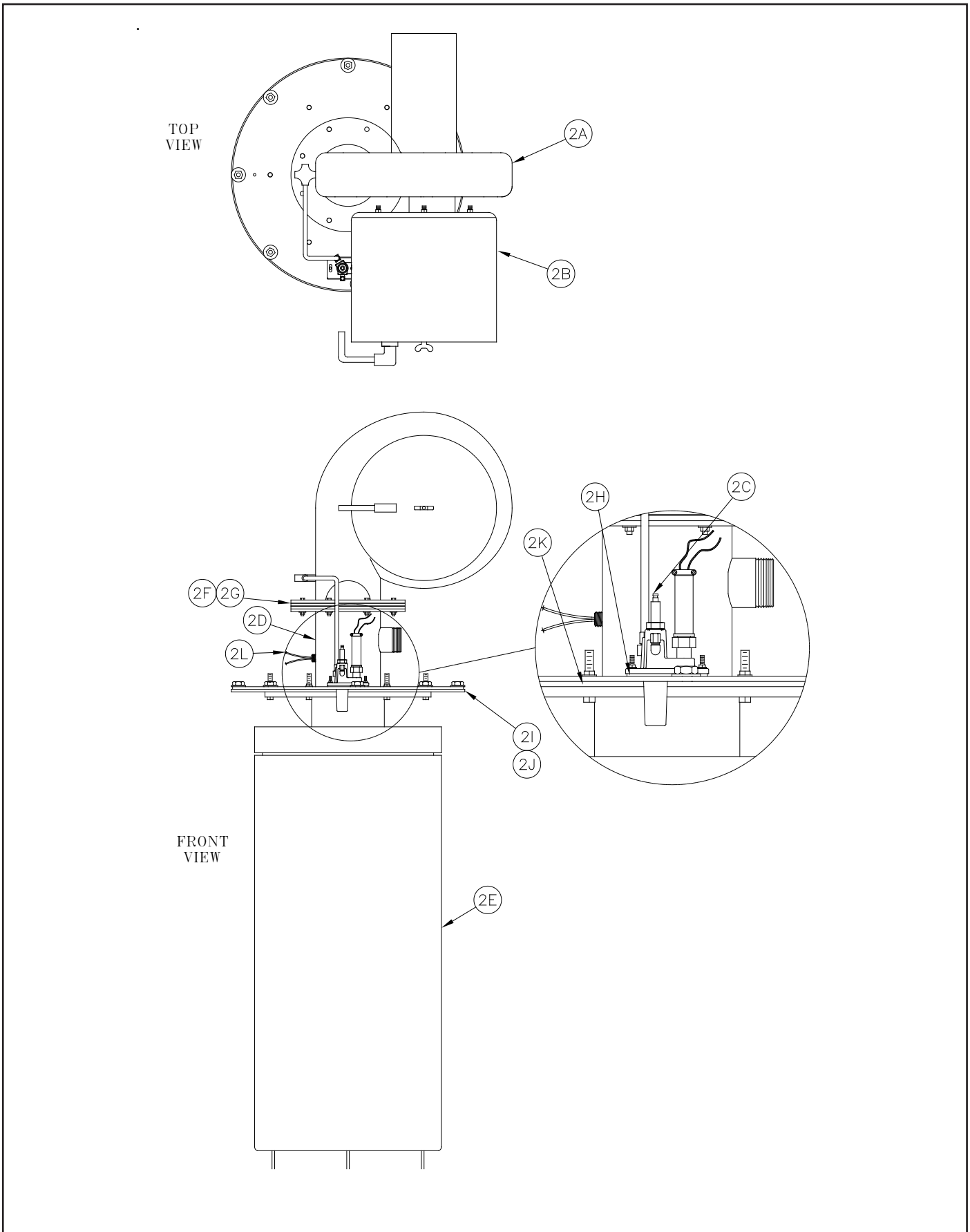


Figure 20: Burner Assembly



BURNER ASSEMBLY						
Key No.	Description	(Quantity) Part Number				
		EVO-500	EVO-750	EVO-1000	EVO-1500	EVO-2000
2. BURNER/FAN ASSEMBLIES						
2A	Fan (120V / 1 ph)	(1) 811560022	(1) 81156001			
	Fan (3 phase)	(1) 811560021	(1) 81156018			
2B	Air Filter	(1) 81156009	(1) 81156011			(1) 81156012
2C	Pilot Assembly - NG - OR - Pilot Assembly - LP	See Figure 25 (Pilot Assembly)				
2D	Mixer Assembly - NG	(1) 602561031	(1) 60256209	(1) 60256210	(1) 60256211	(1) 60256212
	Mixer Assembly - LP	(1) 602561061	(1) 60256213	(1) 60256214	(1) 60256215	(1) 60256216
2E	Burner Element	(1) TS500CF GBNR	(1) TS750CF GBNR	(1) TS1000CF GBNR	(1) TS1500CF GBNR	(1) TS2000CF GBNR
2F	Air Orifice Gasket	(2) 82056061	(2) 8205603			
2G	Air Orifice (Modulation)	(1) 802561041	(1) 80256235	(1) 80256253	(1) 80256236	(1) 80256237
2H	Pilot Gasket	(1) 8205608				
2I	Gas Mixing Orifice	(1) 80256134	N/A			
2J	Burner Gasket	(1) 82056071	(1) 82056041			
2K	Burner Mounting Flange Gasket	(1) 8205609	(1) 8205605			
2L	Burner Thermal Fuse Assembly	(1) 6025601				
2M	Vestibule Fuse Assembly	(1) 6025602				

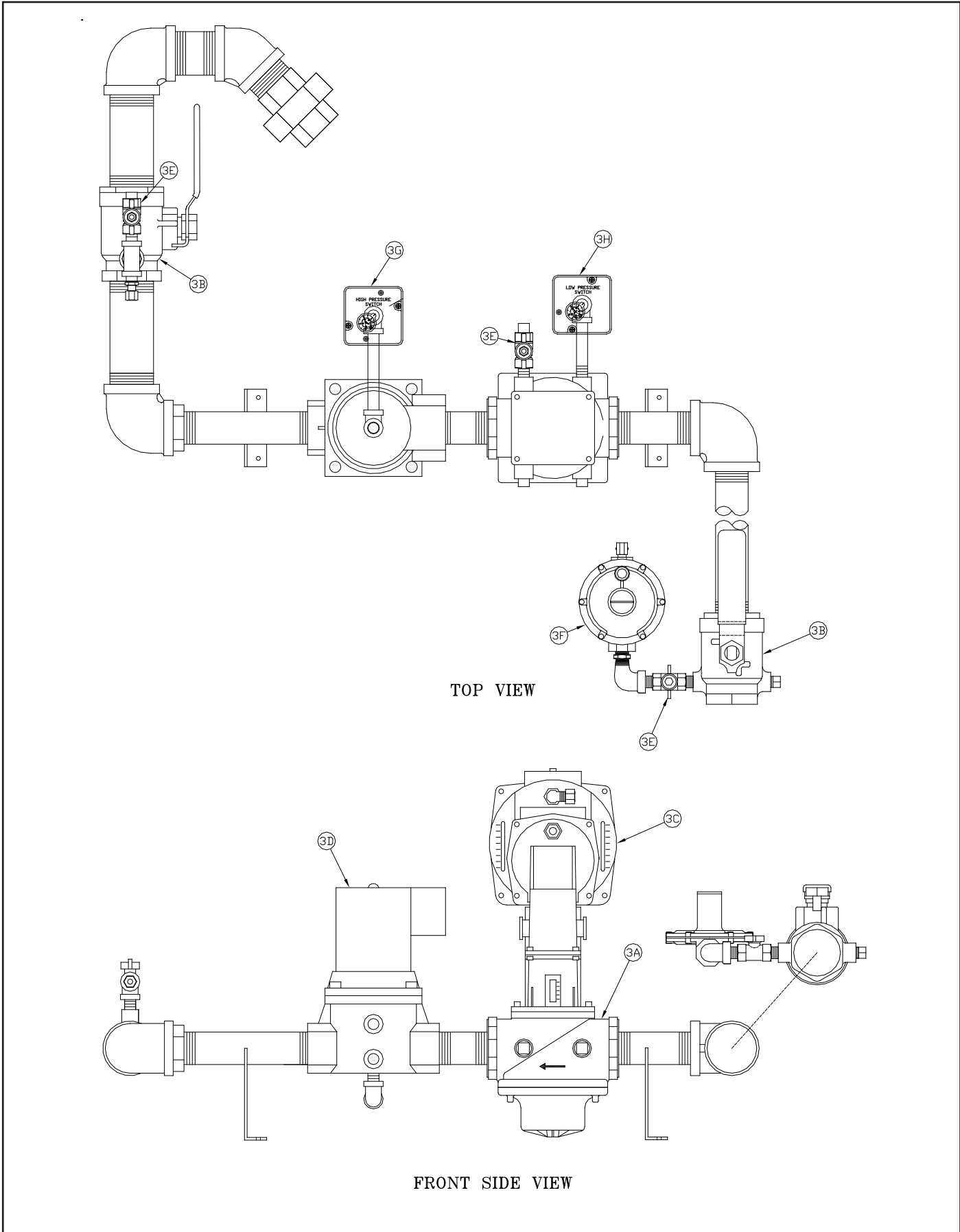


Figure 21: UL/FM/CSD-1 Main Gas Train Assembly

EVO On/Off, UL/FM/CSD-1			
Key No.	Description	(Quantity) Part Number	
		EVO 500 to 750	EVO 1000 to 2000
3A	Main Valve Body	(1) 816634041	(1) 81663404
3B	Manual Gas Valve	(2) 806603055	(2) 806603053
3C	Actuator	(1) 81663410	
3D	Solenoid Gas Valve	(1) 81660207	(1) 81660205
3E	Gas Cock	(3) 822758	
3F	Pilot Regulator	(1) 822702	
3G	High Pressure Switch	(1) 80160333	
3H	Low Pressure Switch	(1) 80160332	

EVO Modulating, UL/FM/CSD-1				
Key No.	Description	(Quantity) Part Number		
		EVO-500	EVO-750	EVO-1000 to 2000
3A	Main Valve Body	(1) 816634041		(1) 81663404
3B	Manual Gas Valve	(2) 806603055		(2) 806603053
3C	Actuator	(1) 81663408		
3D	Solenoid Gas Valve	(1) 81660207		(1) 81660205
3E	Gas Cock	(3) 822758		
3F	Pilot Regulator	(1) 822702		
3G	High Pres. Switch	(1) 80160333		
3H	Low Pres. Switch	(1) 80160332		

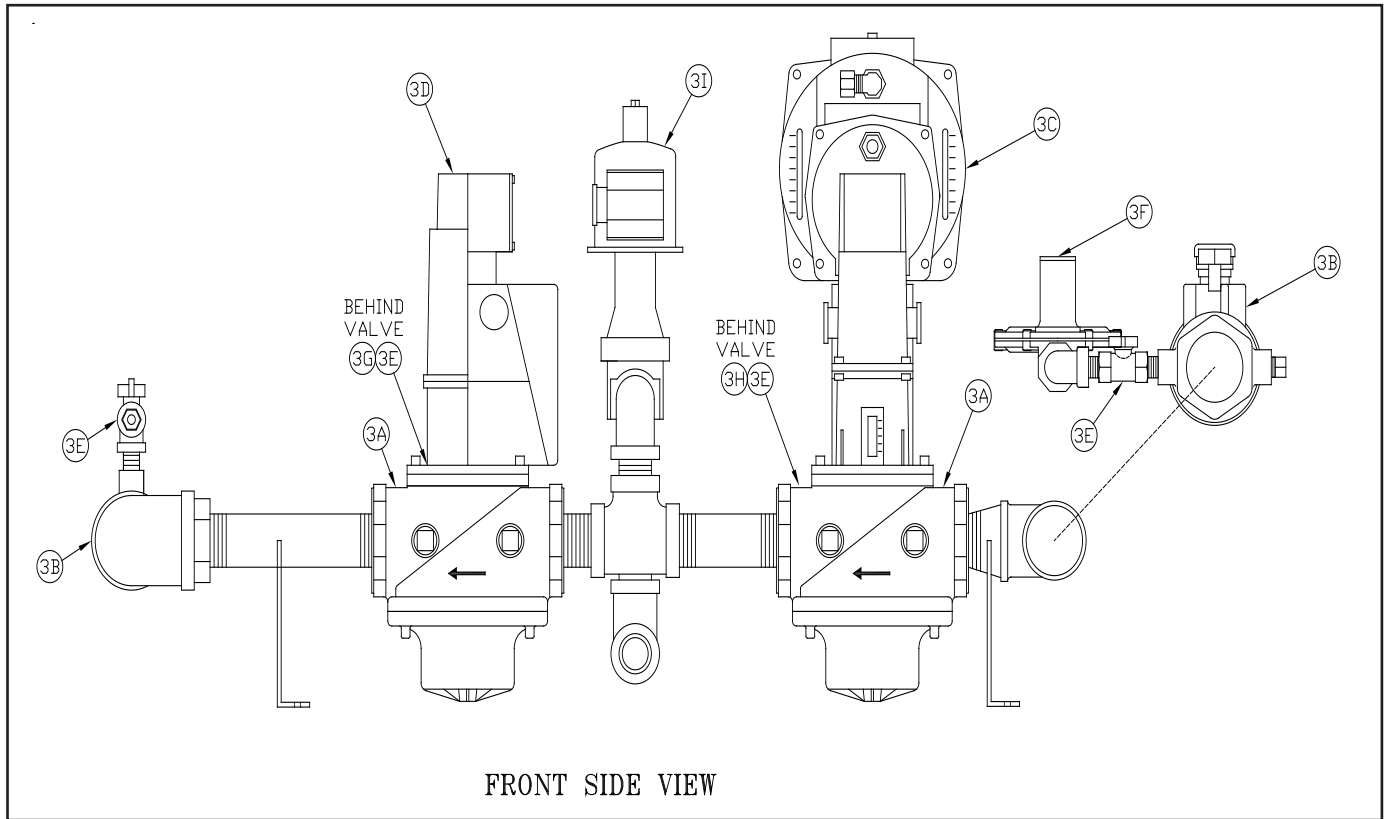


Figure 22a: DB&B & DB&B w/POC Gas Train (500-750)

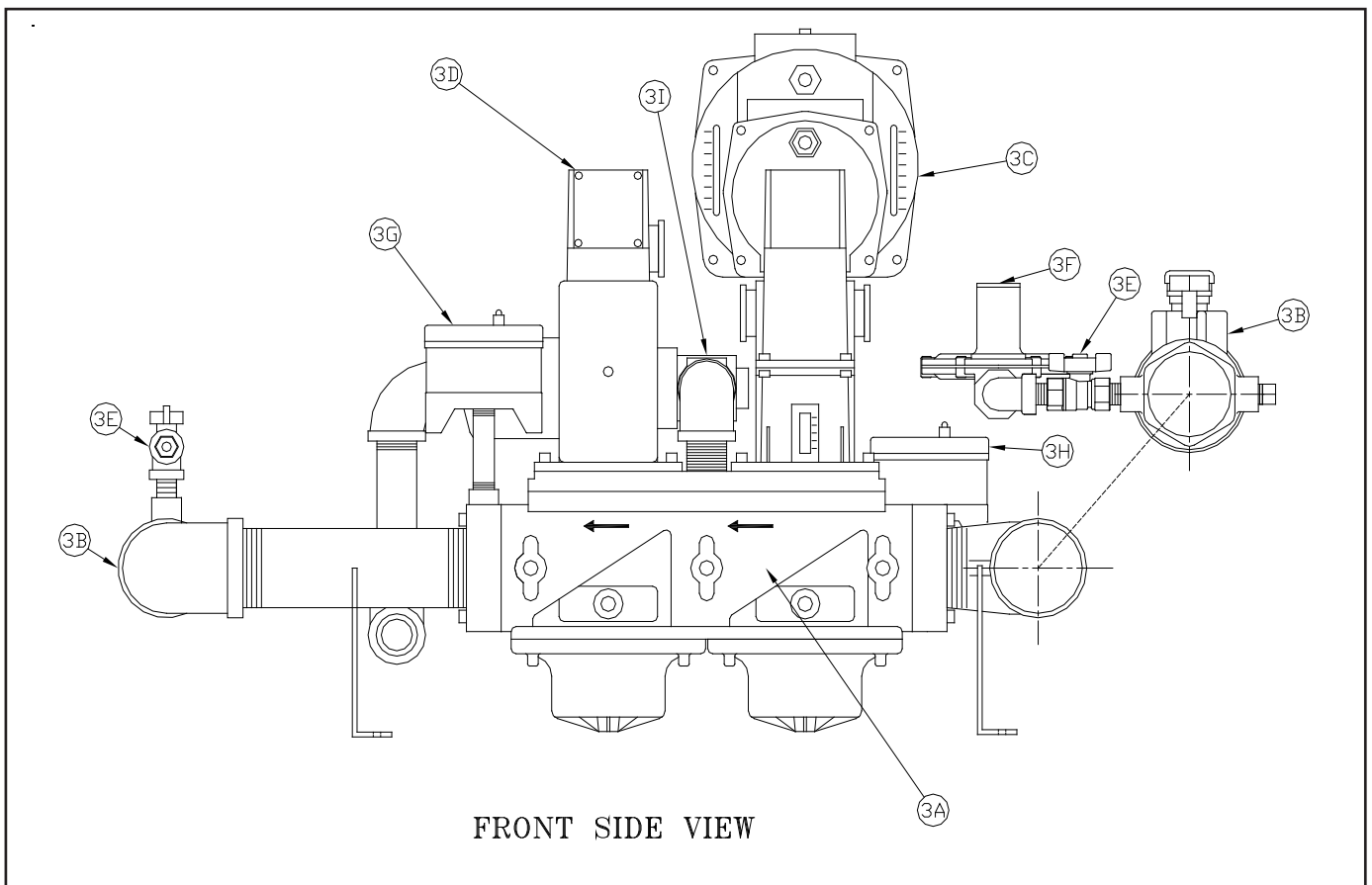


Figure 22b: DB&B & DB&B w/POC Gas Train (1000-2000)

EVO Modulation DB&B			
Key No.	Description	(Quantity) Part Number	
		EVO-500 to 750	EVO-1000 to 2000
3A	Main Valve Body	(1) 806634041	(1) 81663404
3B	Manual Gas Valve	(2) 806603055	(2) 806603053
3C	Ratio Valve	(1) 81663408	
3D	Actuator	(1) 81660207	(1) 81660205
3E	Gas Cock	(3) 822758	
3F	Pilot Regulator	(1) 822702	
3G	High Pres. Switch	(1) 80130333	
3H	Low Pres. Switch	(1) 80160332	
3I	Vent Valve (N.O.)	(1) 81660748	

EVO Modulating DB&B w/POC (Proof of Closure)			
Key No.	Description	(Quantity) Part Number	
		EVO-500 to 750	EVO-1000 to 2000
3A	Main Valve Body	(2) 806634041	(1) 81663405
3B	Manual Gas Valve	(2) 806603055	(2) 806603053
3C	Ratio Valve	(1) 81663409	
3D	Actuator	(1) 81663407	
3E	Gas Cock	(3) 822758	
3F	Pilot Regulator	(1) 822702	
3G	High Pres. Switch	(1) 80160333	
3H	Low Pres. Switch	(1) 80160332	
3I	Vent Valve (N.O.)	(1) 81660748	(1) 81660262

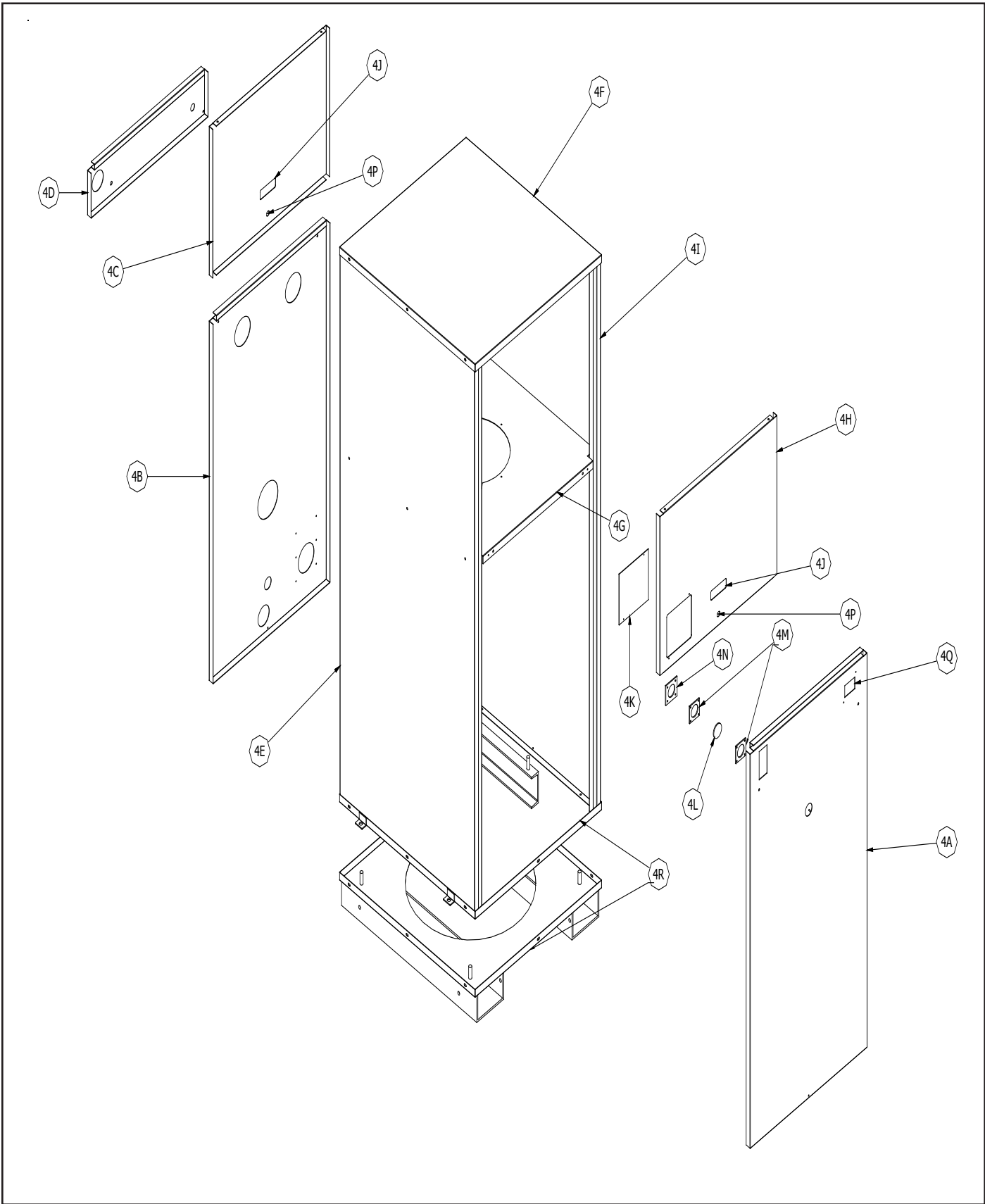


Figure 23: Jacket Panels

JACKET						
Key No.	Description					
		EVO-500	EVO-750	EVO-1000	EVO-1500	EVO-2000
4. Jacket Assembly						
4A	Jacket Lower Front Panel (Modulation)	(1) 60456310	(1) 60456311	(1) 60456312	(1) 60456313	(1) 60456314
4B	Jacket Lower Rear Panel	(1) 60456304	(1) 60456305	(1) 60456306	(1) 60456307	(1) 60456308
4C	Jacket Upper Rear Panel	(1) 70456251				
4D	Jacket Center Rear Panel	(1) 70456250				
4E	Jacket Panel Left Side	(1) 60456328	(1) 60456329	(1) 60456330	(1) 60456331	(1) 60456332
4F	Jacket Top Panel	(1) 7056254				
4G	Jacket Vestibule Panel	(1) 60456301	(1) 60456302			
4H	Jacket Upper Front Panel	(1) 70456252				
4I	Jacket Panel Right Side	(1) 60456322	(1) 60456323	(1) 60456324	(1) 60456325	(1) 60456326
4J	Handle	(2) 8056256				
4K	View Port Cover for Flame Safeguard	(1) 81356007				
4L	Observation Port Lens	(1) 8026082				
4M	Observation Port Gasket	(2) 8206039				
4N	Observation Port Lens Retainer	(1) 7186019				
4P	Latch	(2) 80861719				
4Q	Power Switch w/Filter Light	(1) 8136496				
4R	Base	(1) 6155604				
4S	Outdoor Vent Terminal (Not Shown)	(1) 102434-02		(1) 102434-04		

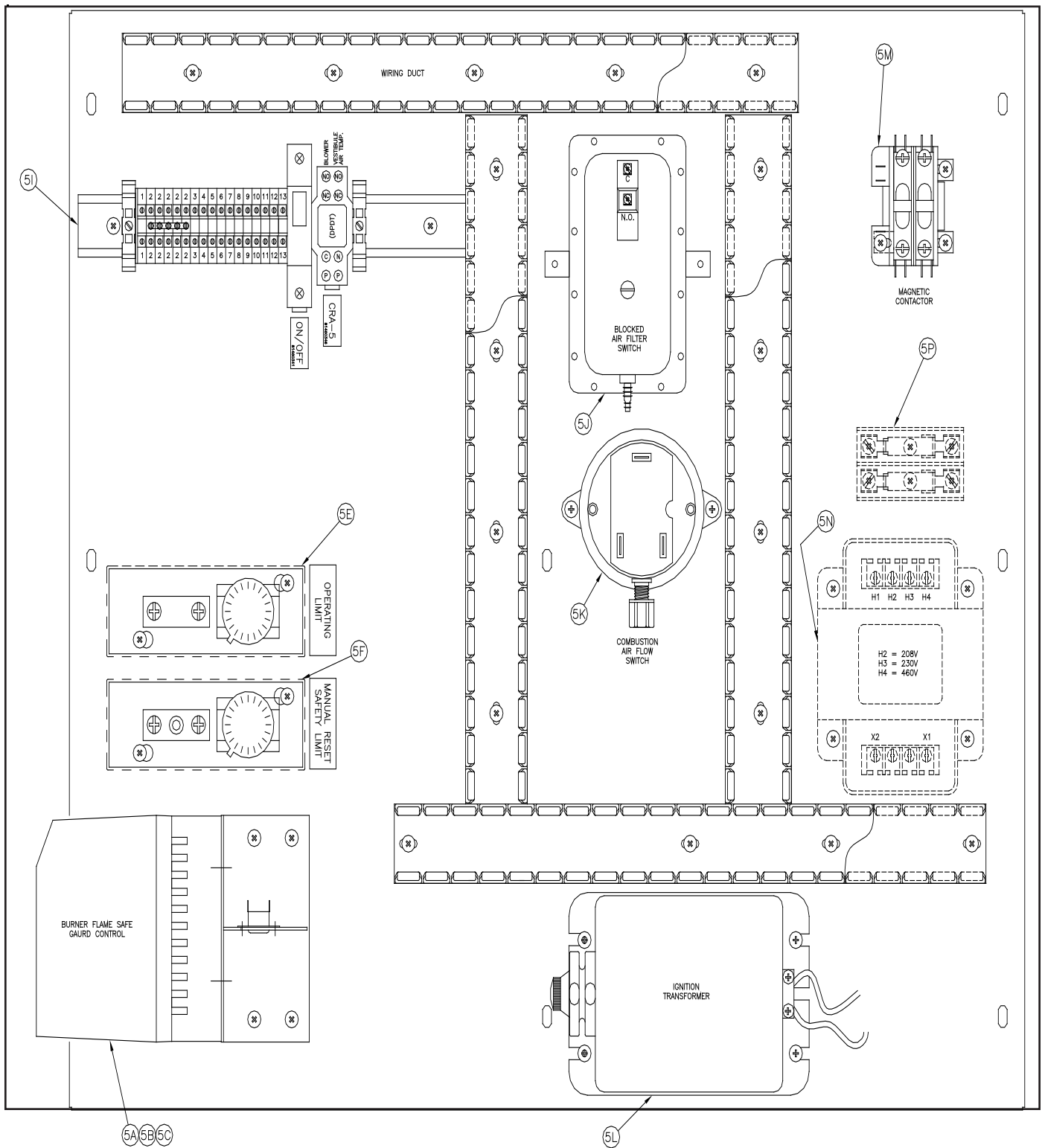


Figure 24a: Control Panel Assembly (On/Off)



CONTROLS ON/OFF						
Key No.	Description	(Quantity) Part Number				
		EVO-500	EVO-750	EVO-1000	EVO-1500	EVO-2000
5. Controls and Components						
5A	RM7896D1027 Flame Safeguard Control for UL/FM/CSD-1/DB&B			(1) 80160212		
	RM7800M1011 Flame Safeguard Control for POC			(1) 80160230		
	Modbus Module for 5A (optional - not shown)			(1) 80160909		
	Display Module for 5A (optional - not shown)			(1) 80160640		
5B	Amplifier Card (not shown) R7849A1023			(1) 80160243		
5C	Purge Card (not shown) ST7800A1039			(1) 8136362		
5D	Power Switch with Fliter Light (not shown)			(1) 8136496		
5E	Operating Limit L4008A1015 (Auto Reset - max 240F)			(1) 80160626		
	Operating Limit L4008A1242 (Auto Reset - max 200F(optional))			(1) 80160659		
5F	High Limit L4008E1313 (Manual Reset - max 240F)			(1) 80160667		
	High Limit L4008E1313 (Manual Reset - max 200F(optional))			(1) 80160660		
5G	Water Flow Switch FS8-W (not shown)			(1) 80160602		
5H	Vestibule Fuse Switch (not shown)			(1) 80160209		
5I	Terminal Block/Circuit Breaker Assembly			(1) 8136498		
5J	Blocked Filter Switch			(1) 80160295		
5K	Combustion Air Flow Switch			(1) 80160903		
5L	Ignition Transformer			(10) 80160018		
5M	Motor Starter 115v/1ph (shown)			(1) 80160843		
	Motor Starter 208/230/460v-1/3ph (not shown)			(1) 80160415		
5N	Control Transformer (High Voltage Option)			(1) 80160820		
5P	Fuses and Fuse Block (High Voltage Option)			(2) 8136426 & (2) 8136427		

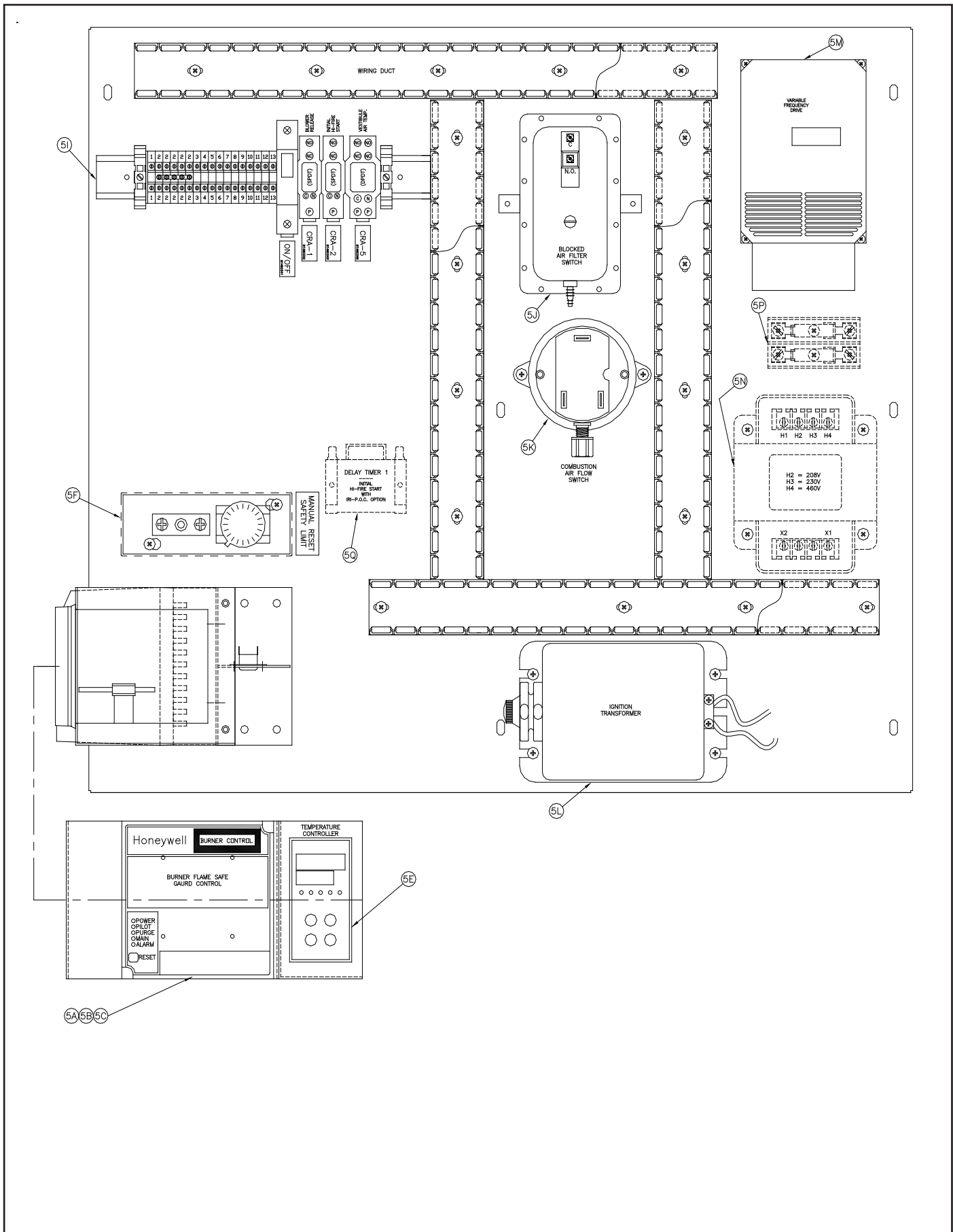


Figure 24b: Control Panel Assembly (Modulation)

CONTROLS (Modulation)						
Key No.	Description	(Quantity) Part Number				
		EVO-500	EVO-750	EVO-1000	EVO-1500	EVO-2000
5. Controls and Components						
5A	RM7896D1027 Flame Safeguard Control for UL/FM/CSD-1/DB&B	(1) 80160212				
	RM7840L1075 Flame Safeguard Control for DB&B w/POC & LFP	(1) 801602303				
	Modbus Module for 5A (optional - not shown)	(1) 80160909				
	Display Module for 5A (optional - not shown)	(1) 80160640				
5B	Amplifier Card (not shown) R7849A1023	(1) 80160243				
5C	Purge Card (not shown) ST7800A1039 (UL/FM, CSD-1)	(1) 8136362				
	Purge Card (not shown) ST7800A1005 (DB&B w/POC)	(1) 81363621				
5D	Power Switch with Filter Light (not shown)	(1) 8136363				
5E	Operating Limit, Digital RWF40	(1) 80160905				
	Operating Limit, Digital Modbus, RWF40 (optional)	(1) 80160908				
5F	High Limit L4008E1305 (Manual Reset - max 240F)	(1) 80160667				
	High Limit L4008E1313 (Manual Rest - max 200F) (optional)	(1) 80160660				
5G	Water Flow Switch FS8-W (not shown)	(1) 80160175				
5H	Vestibule Fuse Switch (not shown)	(1) 80160209				
5I	Terminal Block/Circuit Breaker Assembly	(1) 8136498				
5J	Blocked Filter Switch	(1) 80160295				
5K	Combustion Air Flow Switch	(1) 102382-02				
5L	Ignition Transformer	(1) 80160018				
5M	Variable Frequency Drive 115 volt input	(1) 80160933				
	Variable Frequency Drive 208/230 volt input	(1) 80160940				
	Variable Frequency Drive 460 volt input	(1) 80160941				
5N	Control Transformer (High Voltage Option)	(1) 80160820				
5P	Fuses and Fuse Block (High Voltage Option)	(2) 8136426 & (2) 8136427				
5Q	Delay Timer (No Timer for EVO500-2000 UL/FM,CSD-1)	(1) 80160675				
5R	Resistor 1k 25watt (LFP option only) (not shown)	(1) 103577-01				

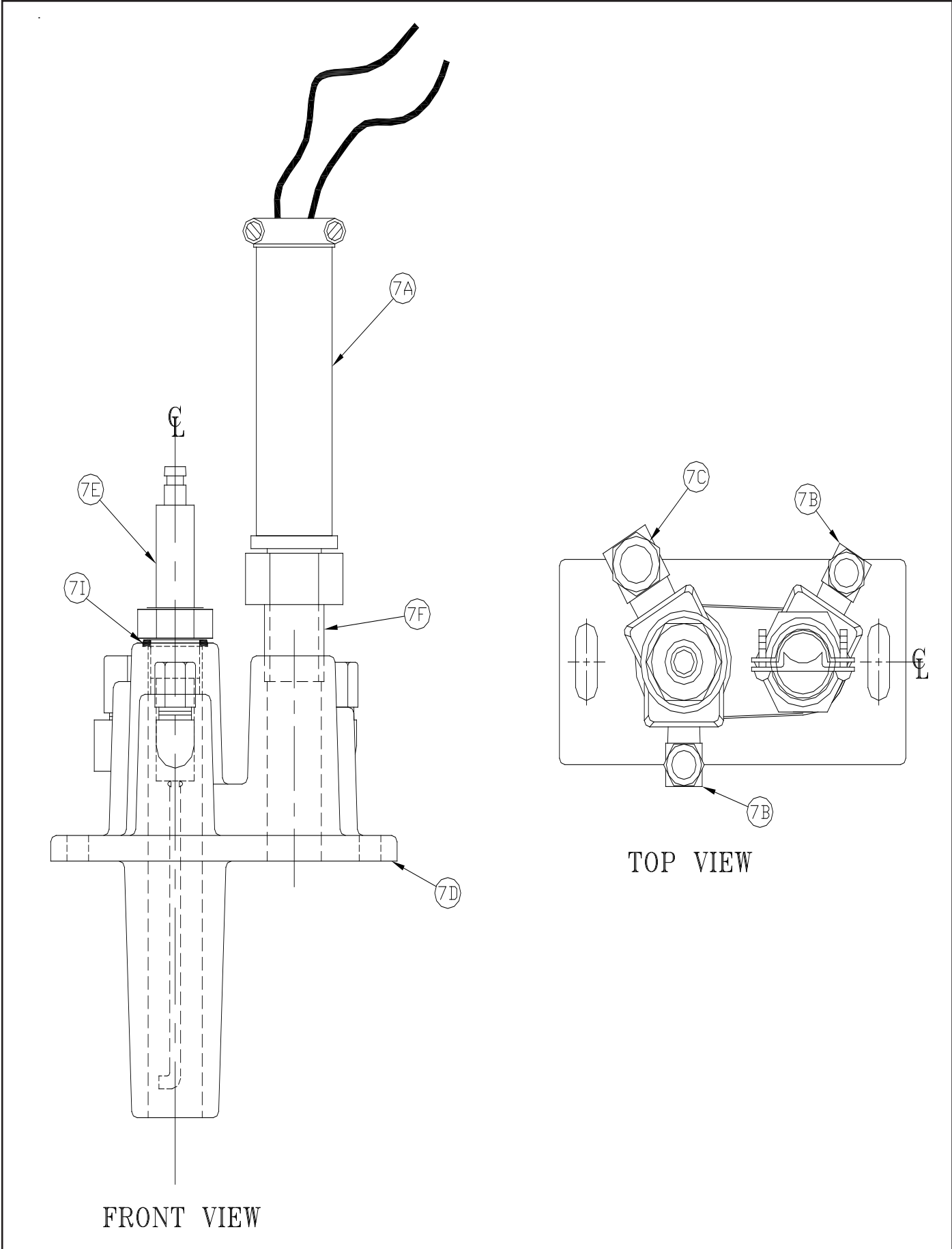


Figure 25: "Bishop" Pilot Assembly

PILOT ASSEMBLY (Bishop Design)						
Key No.	Description	(Quantity) Part Number				
		EVO-500	EVO-750	EVO-1000	EVO-1500	EVO-2000
7. Pilot Assembly, Bishop						
—	Pilot Assembly Natural Gas, ULZ2	(1) 62356110				
	Pilot Assembly Propane, LUX2	(1) 62356210				
7A	Ultraviolet Sensor	(1) 8026145				
7B	Pilot Orifice Natural Gas	(1) 722606				
	Pilot Orifice Propane	(1) 722605				
7C	Pilot Air Orifice	(1) 722607				
7D	Cast Iron Body	(1) 82361581				
7E	Ignitor Assembly, ULX2	(1) 82356009				
7F	Nipple,, 1/2 NPT x Close	(1) 806600040				
7G	Pilot Ignition Cable (not shown)	(1) 103827-01				
7H	Pilot Solenoid Valve V4046C1047 (not shown)	(1) 81660204				
7I	O-Ring	(1) 8206054				

## IX. Temperature Controller Operation for Modulating Boilers



### A. Description

The microprocessor based temperature controller is utilized for all modulating Thermal Solutions water boilers. The basic function of the controller is to modulate the firing rate of the burner in response to the boiler heat load. The controller monitors the boiler water temperature through the use of a sensor located in the boiler pressure vessel. The controller compares the boiler water temperature to the controller's user defined operating set-point temperature.

An output signal from the microprocessor varies the blower speed through the use of a variable frequency drive (VFD). The gas valve regulates an appropriate amount of gas flow for a given air flow or blower speed. The user may adjust the operating set-point temperature for a given application. In addition, the controller has the ability to change to an alternate set-point through an external signal for low load conditions (i.e. weekend use, night setback). Outdoor reset is another standard feature, allowing the boiler operating temperature to vary based on the outdoor ambient temperature. The typical result is a higher seasonal efficiency.

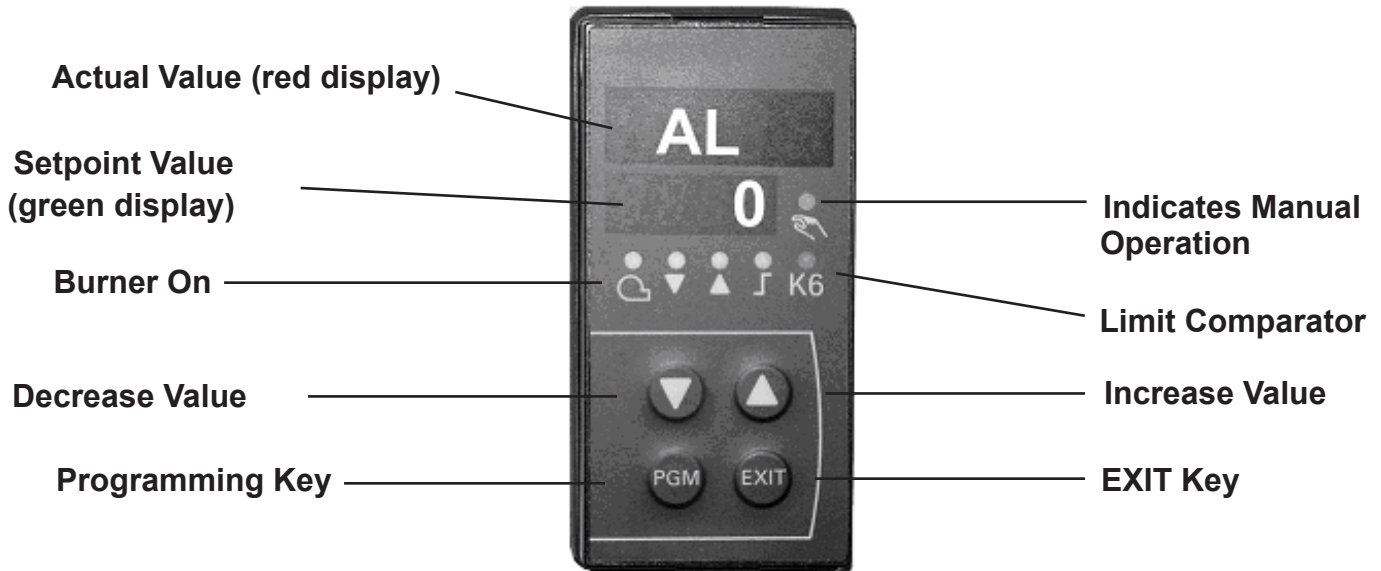
Other features include:

<b>Low Fire Hold</b>	<b>Multiple Analog Inputs</b>
<b>Multiple Set Points</b>	<b>Mod Bus Communications</b>
<b>Digital Inputs</b>	<b>Manual Override</b>
<b>"AUTO TUNE" Optimization</b>	

### B. Set-Up

All of the control parameters have been set at the factory. There are a few parameters called "Process Parameters" that must be defined by a qualified operator. The table below will help serve as a reference and record when making adjustments.

<b>Parameter</b>	<b>Display</b>	<b>Value Range*</b>	<b>Factory Setting</b>	<b>User Setting</b>
<b>Setpoint 1</b>	SP1	145-240	180	
<b>Setpoint 2</b>	SP2	145-240	0	
<b>Digital Setpoint Shift (optional)</b>	dSP	145-240	0	
<b>Outside Temperature (optional)</b>	TA	Consult Factory	—	
<b>Pre-definition of External Setpoints (optional)</b>	SP.E	Consult Factory	—	



To alter any of these process parameters follow the following steps:

- To obtain access into the programming mode of the controller, briefly press the button “PGM”.
- You will see “SP1” displayed on the second line in green LEDs. The previously set operating temperature will be displayed on the first line in red LEDs. To increase or decrease the setpoint 1 value (SP1) use the up and down arrow keys respectively (▲▼).
- To set the value for “SP2”, briefly press the “PGM” key and follow the same instructions above.
- To return to the operating mode press “EXIT”, otherwise the unit will automatically return to the operating mode after 30 seconds of no activity.

To make other adjustments, contact your local representative or consult the factory.

### C. Adjustments

Often during troubleshooting conditions it may become necessary to manually adjust the firing rate. Follow the instructions below to make manual firing rate adjustments.

- Press “EXIT” button and hold for 5 -10 seconds.
- The red light above manual operation (hand) symbol illuminates.
- Press ▲ button to raise firing rate. Press ▼ button to lower firing rate.
- 0 = 50% of Maximum firing rate and 100 = 100% of Maximum firing rate
- Press “EXIT” button and hold for 5 –10 seconds to return to automatic firing rate control.
- Automatic mode has been re-activated once the red light above the manual operation symbol goes out.

### D. Other

#### System Specifications

Input voltage—100-240vac 48/63hz  
 Environmental—Nema 4 external, Internal 95%rh noncondensing  
 Transducer supply—24VDC, 30ma  
 Analog Input 1—Pt100,Ni100, Thermocouple (J, K, T or N),4-20ma and Analog 0-10v  
 Analog Input 2—1k pot,4-20ma, 0-1VDC, 0-10 VDC  
 Analog Input 3—Pt100,Ni100 Temperature sensors  
 Output 1 release to modulate-24-240VAC 2Amps max  
 Output 2 and 3 open/close—24-240VAC 2Amps max  
 Output 4 programmable—24-240VAC 2Amps max  
 Output 5 analog output—0-10 VDC (500 ohm load min), 0-20 or 4-20ma (500ohm load max)  
 Mod bus rtu port—9600 Baud, unit Address 1-99  
 Data storage—EEPROM  
 Approvals—UL, CSA, CE

# NOTES



# NOTES

# NOTES

# NOTES

# Thermal Solutions

("seller")

## LIMITED WARRANTY

### LIMITED WARRANTY

Subject to the terms and conditions herein and except as provided below with respect to products or parts not manufactured by Thermal Solutions, Seller warrants to the original owner at the original installation site that products manufactured by Seller ("Products") comply, at the time of manufacture, the heat exchanger with recognized hydronics industry regulatory agency standards and requirements then in effect and will be free from defects in materials and workmanship for a period of 5 years from date of shipment (the "Warranty Period"). The burner is also covered under the limited warranty for 10 years from date of shipment (the "Warranty" Period).

For products or parts not manufactured by Thermal Solutions, the warranty obligations of Thermal Solutions shall, in all respects, be limited to one year.

### REMEDY

- A. The sole remedy for breach of this warranty is expressly limited to the repair or replacement of any part found to be defective under conditions of normal use within the Warranty Period. Labor for removal and/or installation is not included.
- B. Warranty - The owner must notify the original installer of the Product and Seller (Attention: Thermal Solutions, P.O. Box 3244, Lancaster, PA 17604-3244), in writing, within the Warranty Period, providing a detailed description of all claimed defects. Transportation to a factory or other designated facility for repairs of any products or items alleged defective shall, in all events, be the responsibility and at the cost of the owner.

### EXCLUSIONS

Seller shall have no liability for and this warranty does not cover:

- A. Incidental, special or consequential damages, such as loss of the use of products, facilities or production, inconvenience, loss of time or labor expense involved in repairing or replacing the alleged defective Product.
- B. The performance of any Product under conditions varying materially from those under which such Product is usually tested under industry standards as of the time of shipment.
- C. Any damage to the Product due to abrasion, erosion, corrosion, deterioration, abnormal temperatures or the influence of foreign matter or energy.
- D. The design or operation of owner's plant or equipment or of any facility or system of which any Product may be made a part.
- E. The suitability of any Product for any particular application.

- F. Any failure resulting from misuse, modification not authorized by Seller in writing, improper installation or lack of or improper maintenance.
- G. Equipment furnished by the owner, either mounted or unmounted, or when contracted for by the owner to be installed or handled.
- H. Leakage or other malfunction caused by:
  - 1. Defective installations in general and specifically, any installation which is made:
    - a. in violation of applicable state or local plumbing housing or building codes,
    - b. without a certified ASME, pressure relief valve, or
    - c. contrary to the written instructions furnished with the unit
  - 2. Adverse local conditions in general and, specifically, sediment or lime precipitation in the tubes and/or headers or corrosive elements in the atmosphere.
  - 3. Misuse in general and, specifically, operation and maintenance contrary to the written instructions furnished with the unit, disconnection, alteration or addition of components or apparatus, not approved by seller, operation with fuels or settings other than those set forth on the rating plate or accidental or exterior damage.
- I. Production of noise, odors, discoloration or rusty water.
- J. Damage to surrounding area or property caused by leakage or malfunction.
- K. Costs associated with the replacement and/or repair of the unit including: any freight, shipping or delivery charges, any removal, installation or reinstallation charges, any material and/or permits required for installation reinstallation or repair, charges to return the boiler and or components.

Seller's liability under this warranty shall not in any case exceed the amount paid for the Product found to be defective.

### THIRD-PARTY WARRANTIES

For goods or components not manufactured by Seller, the warranty obligations of Seller shall, in all respects, conform and be limited to one year from the date of shipment

### SEVERABILITY

To the extent that any provision of this warranty would be void or prohibited under applicable law, such provisions shall be limited in effect to the minimum extent necessary to render the remaining provisions hereof enforceable.

